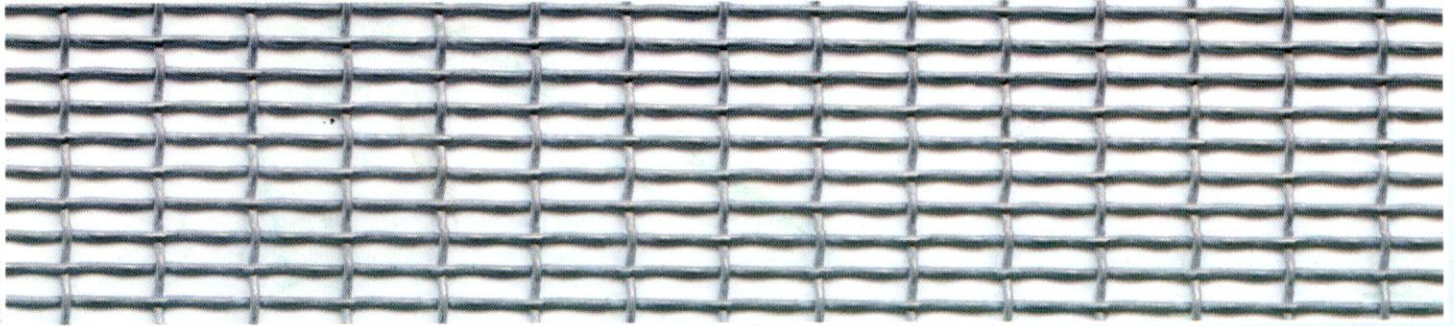
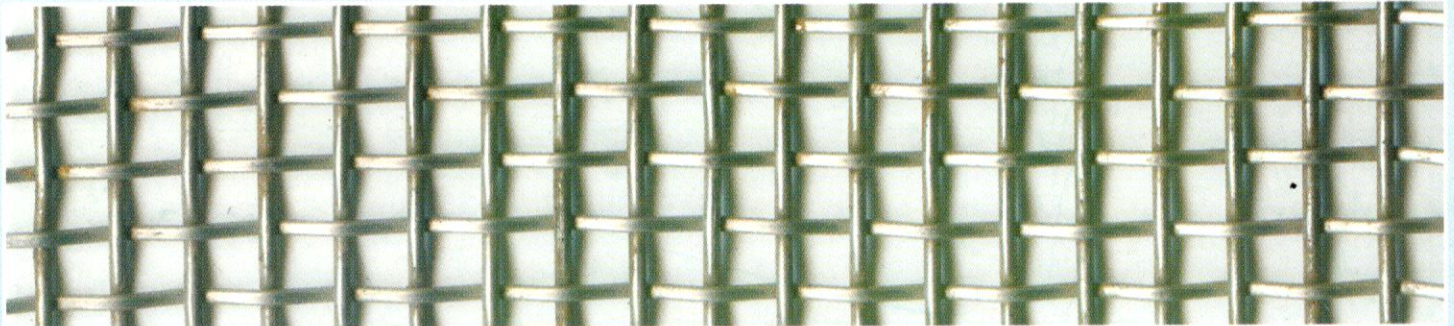


UNIVERSAL SCREENS

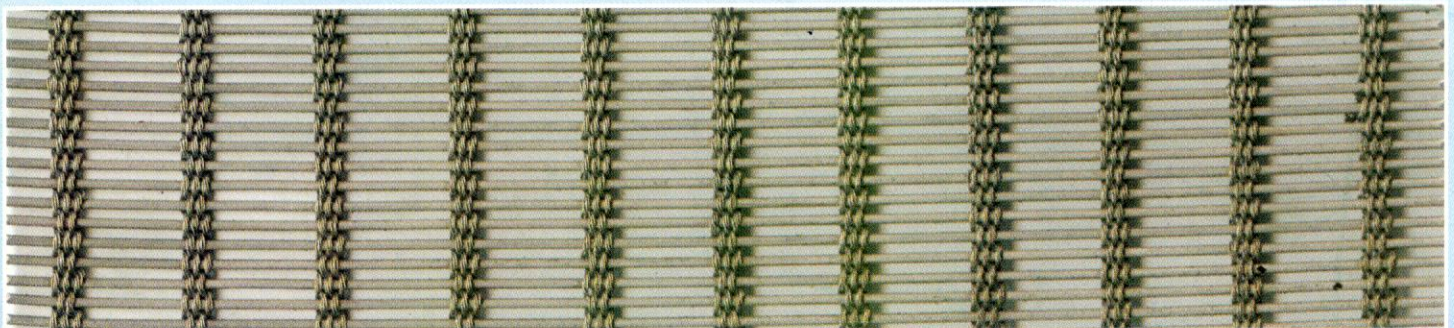
FOR VIBRATING EQUIPMENT



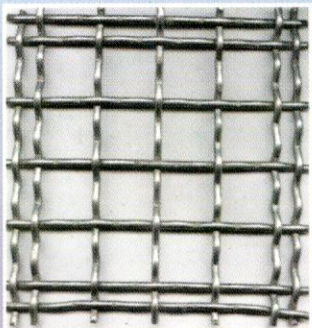
FERTILIZER SCREENS



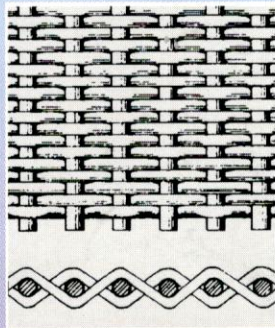
VIBRATING SCREENS



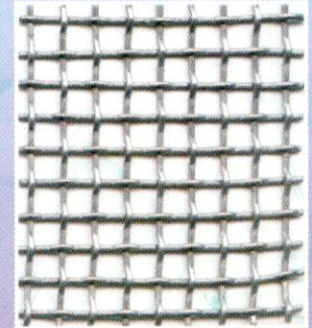
DEHYDRATION SCREENS



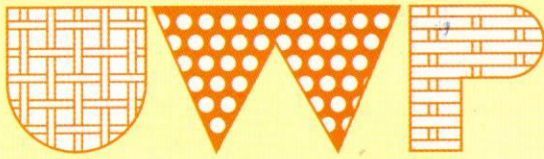
CRIMPED MESH



FILTER SCREENS



DOVEX SCREENS



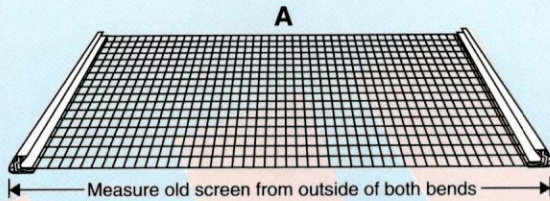
UNIVERSAL SCREENS

UNIVERSAL SPECIFICATION

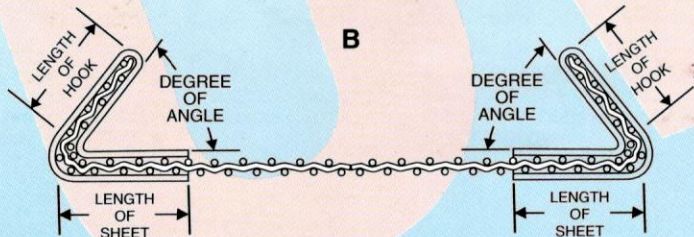
TO ORDER

1. State which edges are to be prepared with hooks or fitted with hook strips. Specify length of hook strips.

2. Give accurate outside dimension of screen. (See illustration A below.) Measure old screen from outside of one bend to outside of other bend.



3. Be specific about angle and length of hook as shown in (illustration B below)

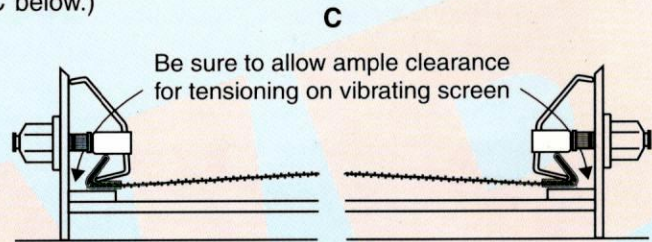


4. When screens are slotted, specify if slots are parallel or perpendicular to hook strips.

5. Specify size and make of vibrator.

TO INSTALL

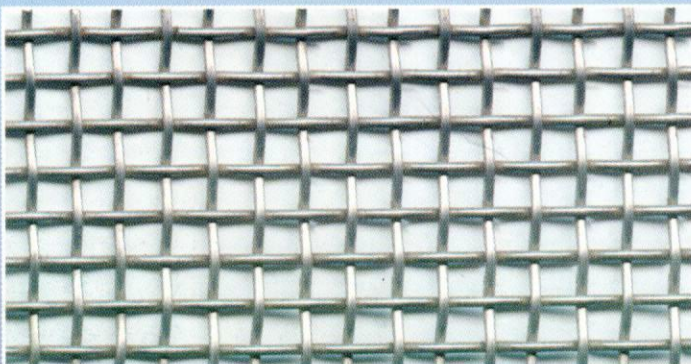
1. Be sure there is ample clearance for tensioning on vibrator screen. (See illustration C below.)



2. Vibrator screens need time to seal into place. Install new screen under partial tension without a load and allow it to vibrate for a brief period of time to seal properly. Then tighten fully to proper tension. Loose installation will cause premature breakage.

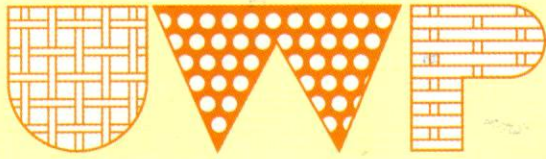
3. Bucker up or crown bar rubber strips should be checked every time you change screens. Remember - the rubber wears from the bottom on the rails also and wear as not always readily visible.

4. Check the sizes of all pieces being installed. Also check to make sure screens have hook strips parallel. Tension uniformly to maintain screens in parallel.



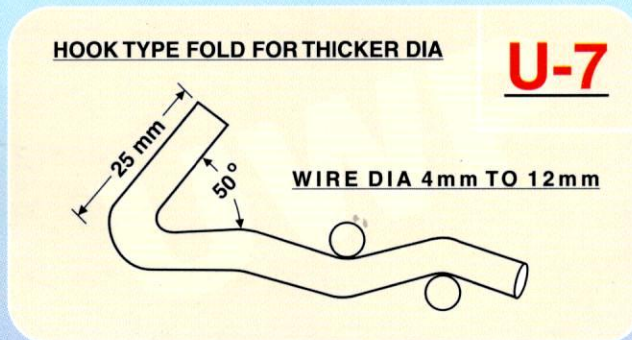
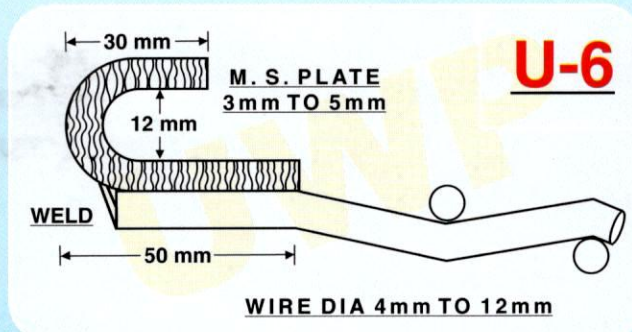
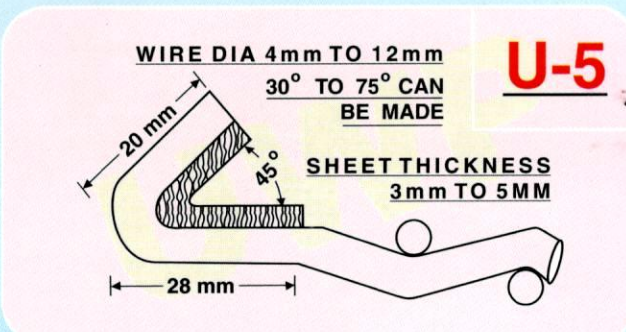
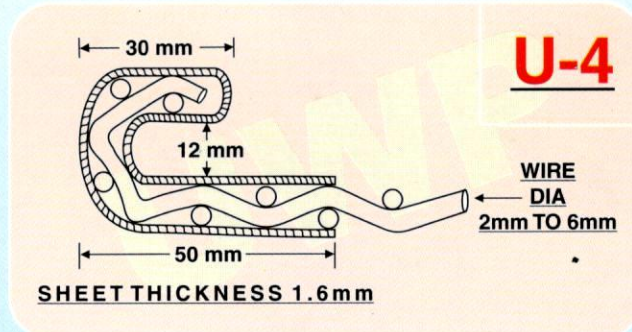
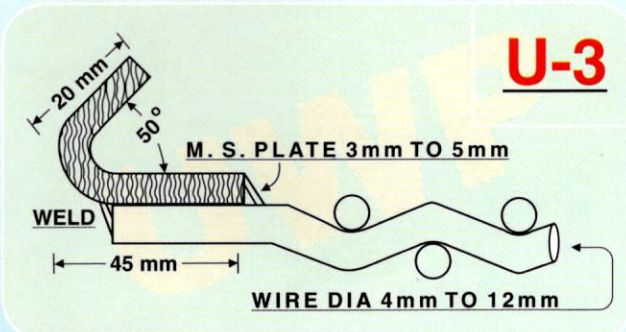
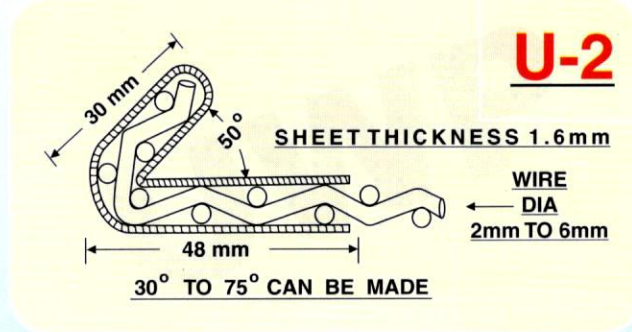
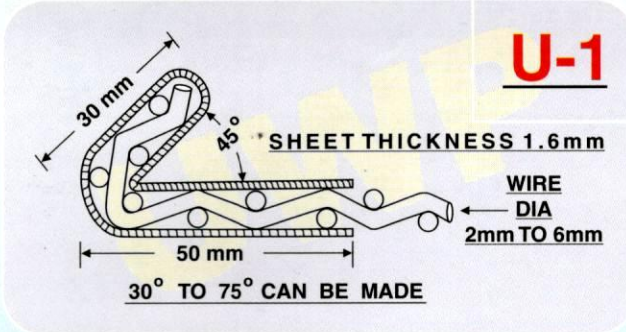
COMPLETE INFORMATION

- Aperture (Distance between two Wires in mm)
- Wire Dia (in mm)
- Width (in mm or feet)
- Length (in mm or feet)
- Which side of Edge Preparation
- Sheet Thickness



UNIVERSAL SCREENS

UNIVERSAL SPECIFICATION



EDGE PREPARATION CHART FOR VIBRATING SCREEN CLOTH