



INTRUSION SAFE™



Waltzer India Pvt Ltd

- > +91 731 4245858
- > +91 95225 82422
- > info@waltzerindia.com
- > www.waltzerindia.com
- > 1A Balaji Market,
Hawa Bangla Main Rd.
Indore (MP)- 452009

Waltzer India Pvt Ltd, your ultimate destination for top-tier fencing solutions. As a pioneering fencing product company, we specialise in delivering innovative and reliable fencing systems that cater to diverse needs. From high-security industrial fences to aesthetically pleasing residential enclosures, we offer a comprehensive range that blends functionality with style. Backed by years of expertise, Waltzer India prides itself on unmatched quality, impeccable craftsmanship, and dedicated customer service. Transform spaces with our fencing solutions that exemplify security and sophistication – choose Waltzer India Pvt Ltd today.

ANTI WALL CLIMBING SPIKES

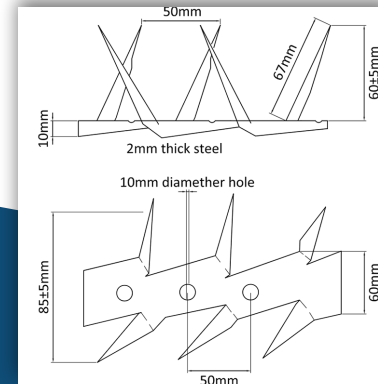
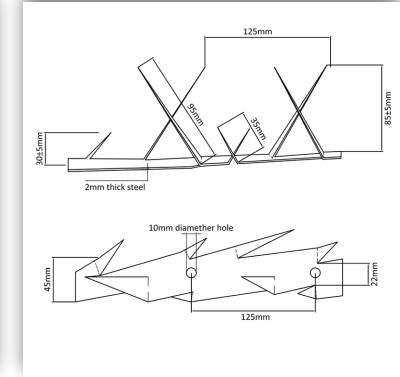
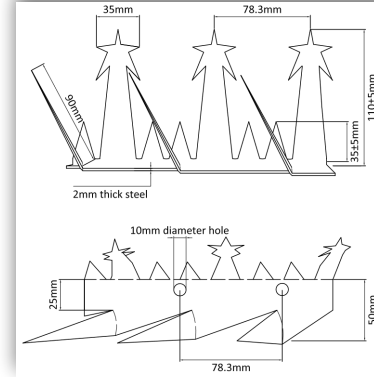
UNYIELDING SECURITY FOR YOUR PERIMETER
PROTECTION.



INTRUSION SAFE™

Presenting INTRUSION SAFE™ Anti Wall Climbing Spikes: Your Ultimate Barrier Solution. We specialise in providing Galvanized Iron (GI) spikes meticulously designed to deter unauthorised access and climbing attempts. Our cutting-edge anti-climbing spikes offer a potent defence mechanism for perimeter security, safeguarding residential, commercial, and industrial spaces. Engineered for durability and easy installation, these spikes ensure a reliable and long-lasting security solution. Elevate your protection strategy with GI Anti Wall Climbing Spikes – where security meets innovation seamlessly.

| Specification | Description | | |
|------------------------------|---|-----------------|-----------------|
| Material | Galvanized Iron (GI) | | |
| Surface Treatment | Hot-dip galvanized for rust resistance | | |
| Spike Sizes | SMALL | MEDIUM | LARGE |
| | Height: 65 mm | Height: 95 mm | Height: 110 mm |
| | Width: 27mm | Width: 45mm | Width: 50mm |
| | Length : 1250mm | Length : 1250mm | Length : 1250mm |
| | Thick: 1.0mm | Thick: 2.0mm | Thick: 2.0mm |
| Spike Configuration | Multi-point design various sizes available | | |
| Spike Shape | Uneven Razor Sharp Triangular, Big Star | | |
| Spike Base | Punched single moulding Sheet no Joints | | |
| Installation | Easily screwable on walls, fences, and surfaces can also be welded to gates and other iron fence. | | |
| Spacing between Spikes | As per design mentioned | | |
| Color | Shining Galvanized finish | | |
| Weather Resistance | Suitable for outdoor use; resistant to weather elements | | |
| Corrosion Resistance | Highly resistant to rust and corrosion | | |
| Durability | Long-lasting and low maintenance | | |
| Application | Perimeter security, anti-climbing, intrusion deterrence | | |
| Compatibility | Compatible with various wall types and surfaces | | |
| Environmental Friendliness | Environmentally safe and recyclable material | | |
| Accessories | Mounting brackets, screws, and fasteners | | |
| Standards and Certifications | 220 GSM GI Coating as Per IS Standards | | |
| Packaging | Secure packaging to prevent damage during transportation | | |
| Warranty | 6 months | | |



YOUR FIRST LINE OF DEFENCE AGAINST UNAUTHORISED ACCESS.

