

CAMP GROUP III HARNESS



DESCRIPTION

The Group III is an extremely robust webbing harness with a single front attachment point that is fully reinforced for extra abrasion resistance. The buckles are auto-locking for safety and profiled for quick and easy adjustment. The leg loops are different colors for easy identification, and the simple webbing construction offers a huge range of adjustment to fit users of almost any size making it ideal for adventure parks and rentals.

- One size fits all with a very wide adjustment range
- Constructed from 45 mm tapered webbing for intensive use
- Auto-locking steel buckles are quick and easy to adjust
- Differentiated color leg loops for easy identification
- Single front attachment point is reinforced for frequent use
- Single reinforced gear loop
- Compact design for easy storage and transport

Ref.	Product name	Sizes	Weight						CE EN 12277/C
			g	oz	B - Waist (cm)	B - Waist (in)	C - Legs (cm)	C - Legs (in)	
3216	GROUP III	One-size	390	13.8	50-110	19,7-43,3	30-70	11,8-27,6	•

CAMP I-BLOCK EVO – Descender



Product Description

Auto-braking single rope descender with two locking positions. Descent speed can be controlled up to 2 m/s. Maximum working load: 160 kg (200 kg for rescue scenarios).

Standards:

- EN 12841/C as a descender of the working line for semi-static ropes ranging from 9 to 12 mm.

EN 341/2A as an emergency evacuation device on a single line, 11 mm semi- static rope (certified with rope Teufelberger Patron 11 mm, compatible with rope Iridium 11 mm).

Ref.	Product name	Weight		Breaking load	Rope diameter min	Rope diameter max	CE	STANDARD	Rescue use	EAC
		g	oz	kN	mm	mm				
1388	I-BLOCK EVO	430	15.2	15	10	12	EN 12841/C	EN 341/2A	Max 200 kg	•

CAMP ROCKSTAR – Climbing Helmet



Product Description

- Hybrid construction
- Slider size adjustment
- Comfort chin strap
- Headlamp compatible
- EN 12492 certified

This versatile and affordable helmet is perfect for large groups and rental programs where helmets are bound to get beat up. The durable injection-molded polypropylene shell has 4 side vents. A replaceable polyethylene inner suspension cradle offers fast and easy slide adjustment and is covered with fast-drying material for comfort.

Ref.	Product name - Sizes - Color	Size	Weight		Construction	Shell material	CE
		in	g	oz			EN 12492
0202-6	ROCKSTAR 53-62 cm - Light Blue	20.9-24.4	400	14.1	Injection	Polypropylene	•
0202-4	ROCKSTAR 53-62 cm - Orange						
0202-1	ROCKSTAR 53-62 cm - Red						
0202-7	ROCKSTAR 53-62 cm - White						

CAMP OTTO STANDARD – Descender



Product Description

One of the lightest figure eights on the market, our Standard Figure Eight offers a smooth rappel with minimal impact on the rope. The secret to rappelling on a figure eight without twisting the rope is to always feed the rope from directly below—never hold the rope off to the side or at an angle.

Ref.	Product name	Weight		Rope diameter min		Rope diameter max	
		g	oz	mm	in	mm	in
092801	OTTO STANDARD	110	3.9	8	0.31	13	0.51

CAMP TURBOHAND - Handled ascender



Product Description

- Proprietary roller makes upward glide super smooth and reduces wear and tear
- Toothed cam is finished with an anti-wear treatment and features drain holes for self cleaning
- Ergonomic rubber handle extends into the upper part of the spine for double-handed grip
- 3 large attachment points: two on the bottom and one at the top

The Turbohand ascender uses proprietary technology and cutting-edge design to make climbing ropes safer, faster and easier. It features a proprietary roller which not only helps with climbing efficiency by making the upward glide much smoother, but also reduces dangerous wear and tear on the device where the rope tends to rub on the body of a traditional ascender.

The ergonomic rubber handle extends into the upper part of the spine to allow for a double-handed grip. The handle and the rope are aligned on the same plane for the best handling and efficiency. Features three large attachment points, two on the bottom and one at the top, for optimal organization. The robust body is constructed from 3.5 mm aluminum alloy and the toothed cam is finished with a special anti-wear treatment and features drain holes to help prevent the build-up of mud and grit. The opening system is protected on both sides to prevent accidental openings.

CAMP UNIVERSALE – Piton



Product Description

- Chromoly steel

The pointed wedge shape of the Universal piton fits the most common cracks. A 45° angled head applies torque to maximize holding power for both vertical and horizontal placements.

Ref.	Product name	Weight		Total length		Blade length		Thickness		Material	CE
		g	oz	mm	in	mm	in	mm	in		EN 569
0088-12	UNIVERSAL 10 cm	63	2.2	100	3,94	60	2,36	6	0,24	Hardened Steel	Progression
0088-14	UNIVERSAL 12 cm	84	3.0	125	4,92	85	3,35				
0088-17	UNIVERSAL 15 cm	108	3.8	150	5,91	110	4,33				

CAMP BRENTA - Hammer



Product Description

- Hot-forged chromoly steel with chrome plating to prevent rust
- Elastic rewind leash included

The Brenta is a compact hammer with a large face and good heft in the head for quickly driving home pitons. The pick is designed for cleaning cracks, pasting heads, and levering out pitons. The chromoly steel shaft is indestructible and the thick rubber grip dampens vibrations.

Ref.	Product name	Weight		Material
		g	oz	
0850	BRENTA	683	24.1	NiCrMo Steel

CAMP SHELL BELAY BREAKER



Product Description

Constructed from 6082-T6 aluminium, the **Camp Shell Belay Device** has thicker walls than other tube-style belay devices, providing exceptional durability and heat dissipation.

- 50g
- Rope Diameter Min (mm): Double 8-9
- Rope Diameter Max (mm): Single 10-1

CAMP Matik



Product Description

- **A revolutionary belay-descender device with assisted braking that delivers unparalleled safety and control**
- **Gradual camming action reduces the impact force of a fall and decreases wear and tear on the rope**
- **Proprietary Anti-Panic system automatically blocks the rope if the user loses control of the descent**
- **Double-hinged lever and straight rope path make the descent feel very fluid and controlled**
- **Intuitive design eliminates the possibility of clipping a carabiner to the device if it is not completely closed**
- **Wide attachment hole allows the carabiner to rotate through the hole**
- **High-end manufacturing with hot-forged aluminum main body and precision-cast stainless steel for the critical components that come in contact with the rope**
- **For single dynamic ropes from 8.6 to 10.2 mm**

The assisted braking action of the Matik derives from an innovative camming design that makes the device safer and easier on the climber, the belayer, the anchor and the rope. Instead of using a blunt angle to pinch the rope abruptly when the cam is engaged, the Matik is built so the cam rotates in and comes in line alongside rope before it captures the rope completely. This alignment allows a much larger contact area between the cam and the rope (this makes the device more rope friendly than other auto-blocking devices), and the slight amount of slippage that occurs as the cam rotates into place reduce the impact force of a fall. This means less force on the bodies of the climber and belayer, and on the anchor! When lowering, the proprietary Anti-Panic system helps prevent one of the most common accidents occurring with the use of an auto-blocking device — losing control of the descent. The brake lever will automatically disengage causing the cam to automatically reengage if it is opened too quickly or if it is kept too far open where the speed of the descent can become unmanageable. This unique safety feature is particularly useful where there is little friction from rope drag between the belayer and the climber or during topdown descents where the Matik really delivers an unparalleled sense of safety and control. Users will also instantly notice that the Matik creates a very natural path for the rope that does not require looping or twisting of the rope during descent. Combined with the dynamic camming action that limits the impact of the fall, this more natural rope path helps to reduce wear and tear on the rope. Other distinguishing features of the Matik include a better method for inserting the rope that eliminates the possibility of clipping a carabiner to the device until it is completely closed.

Ref.	Product name	Weight		Rope diameter min		Rope diameter max	CE	
		g	oz	mm	in	mm	EN 15151-1	129
1041	MATIK	276	9.7	Single 8.6	Single 0.34	Single 10.2	•	•

CAMP TURBOLOCK



Product Description

The TurboLock is a progress capture pulley designed to be exceptionally compact, robust and efficient. Specifically contoured for operation with one hand. The locking mechanism for opening and closing allows the rope to be inserted without removing the device from the anchor and it cannot be opened when the pulley is loaded to prevent accidental openings during use. Toothed cam is designed for an immediate and strong grab on ropes from 8 to 13 mm. The cam is enabled and disabled with a switch that is protected inside the flanges to prevent accidental activations. One movement to open the cam for easier insertion or removal of the rope or to use the device as a non-locking simple pulley. Two movements to enable the cam. The two attachment points (main attachment point and the becket hole) allow for the rotation of carabiners for maximum ease of use. Large diameter sheave with sealed ball bearings for very high efficiency (95%). Robust construction features hot forged side plates, precision milled aluminum alloy sheave, and stainless steel cam, rivets and pins.

WEIGHT: 7oz

DIAMETER: 8-13mm

WLL: 2.5kN

MBS: 23kN



Product : DYNAMIC ROPE


Brand : CAMP - Italy

Model : CLUSTER 10.5 MM

Rope Courses & Institutional

Product Description

10.5 mm dynamic rope with a low impact force designed for intensive use.

Ref.	Product name	Length	Weight		Impact force kN	UIAA falls N°	Dynamic elongation %	Static elongation %	Sheath slippage mm	Dry	Middle Mark	Material	CE	Type	
			g/m	oz									EN 892	Single	
2237	CLUSTER 10.5 mm	200 m	69	2.4	8,1	10	29,8	5,3	0	•	•	Polyamide 6	•	•	•
		50 m													
		600 m													
		60 m													



Product : SEMI - STATIC ROPE

Brand : CAMP - Italy

Model : IRIDIUM 10.5 MM

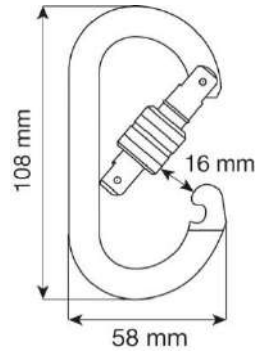
Rope Courses & Institutional

Product Description

The Iridium 10.5 delivers the best combination of handling and strength. The compact core combines with a 32 carrier sheath made from twisted yarns.

Ref.	Product name	Length	Weight	Weight	Static strength	Static strength w/ figure 8 knot	No. of factor 1 falls (100 kg)	Fall factor 0.3 impact force	Static elongation	Sheath slippage	Sheath	Core	Shrinkage in water	Material	CE
					kN	kN		kN	50/150 kg (%)	mm	%	%	%		EN 1891
2810	IRIDIUM 10.5 mm	200 m	68 g/m	2.4 oz/m	29,2	19,5	22	5,1	3,1	0	38	62	2,3	Polyamide 6	•
		50 m													
		600 m													

CARABINERS OVAL STANDARD LOCK



DETAILED DESCRIPTION

Ref.	Product name	Weight								Material
		g	oz	kN	kN	kN	Mm	mm	mm	
0981	OVAL STANDARD LOCK	165	5.8	28	7	10	16	108	58	Carbon steel

- Especially useful with pulleys in rescue work
- Zinc plating helps prevent rust in humid environments

Camp ORBIT STRAIGHT GATE – Carabiner



Product Description

- Optimized design increases strength without increasing weight
- Slim nose profile features our proprietary SphereLock closure

The Orbit is a solid workhorse for everyday climbing with great durability, smooth clipping action and our proprietary SphereLock closure for a super slim nose profile.

DETAILED DESCRIPTION

Ref.	Product name	Weight		kN	kN	kN	mm	mm	mm	Material	EN 12275
		g	oz								
248303	ORBIT STRAIGHT GATE	42	1.5	24	7	8	20	98	58	Aluminum alloy	B

Carabiner Guide XL-Lock-136303



- ID: 136303
- Standard(s): EN 362 – EN 12275
- Height (mm) : 117
- Width (mm): 75
- Gate Opening (mm): 24
- Major Axis (kN): 28
- Minor Axis (kN): 9
- Open Gate (kN): 8
- Lock Type: Screw Gate, Key Lock
- Material: Aluminum alloy

DETAILED DESCRIPTION

Ref.	Product name	Weight		kN	kN	kN	mm	mm	mm	Material	EN 12275	EN 362
		g	oz									
136303	GUIDE XL LOCK	82	2.9	28	9	8	23	117	75	Aluminum alloy	B	B

CAMP ORBIT LOCK - Carabiner



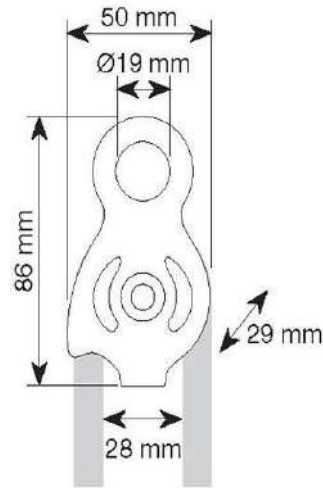
Product Description

- A lightweight and compact locking carabiner for anchors and rigging
- New screw gate is lightweight and easy to handle
- Optimized design increases strength without increasing weight
- Slim nose profile features our proprietary SphereLock closure
- Laser etched marking to indicate if the lock is open or closed
- Available in 2 colors

The body design of the Orbit Lock adds strength and rigidity while maintaining a truly utilitarian size for everything from anchors to rigging to attaching auto-blocking belay devices where a compact D tends to fit better than larger HMS style carabiners. The proprietary SphereLock nose makes clipping ropes, webbing, chains and pro easy.

Ref.	Product name	Weight								Material	CE	
		g	oz	kN	kN	kN	mm	mm	mm		EN 12275	EN 362
292901	ORBIT LOCK - Orange	45	1,6	24	8	8	17	98	58	Aluminum alloy	B	B
292902	ORBIT LOCK - Gun metal	45	1,6	24	8	8	17	98	58	Aluminum alloy	B	B

CAMP SPHINX - Pulley



Product Description


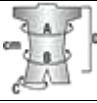
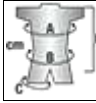
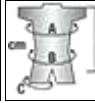
- Fixed side plates
- Self-lubricated brass bushings with 80% efficiency
- Super-compact aluminum alloy body and sheave, stainless steel axle
- Prusik-minding
- For ropes up to 13 mm

A super-compact, ultralight pulley with fixed side plates. The Sphinx is very easy to handle and convenient to carry on a harness while ski touring or mountaineering. The attachment hole is large enough to allow full rotation of a standard locking carabiner. Self-lubricated brass bushings are perfect for light applications at low speed. Unlike other pulleys with fixed side plates, the Sphinx allows for a prusik knot to be installed on one side (aramid cord suggested) making it an ideal pulley for rigging a haul system on route or managing crevasse rescues.

Harnesses JASPER CR4



DETAILED DESCRIPTION





Ref.	Product name	Size	Weight Size (M)						No-Twist Belay Loop	Haul Loop	Drop Seat	Stitched loop for HUB racking carabiners	EN 12277/C
			g	oz	B - Waist (cm)	B - Waist (in)	C - Legs (cm)	C - Legs (in)					
2396	JASPER CR 4	XS-M	410	14.5	62-82	24,4-32,3	46-56	18,1-22,1	•	•	•	2	•

- 2 buckles on the waist for fast and easy adjustment
- Adjustable legs with innovative hidden webbing system
- Thermoformed EVA padding (6 mm on the waist, 4 mm on the legs)
- Super strong fabric on waist and legs
- Elastic straps that connect the waist and legs are detachable with steel hooks
- 20 mm belay loop
- 4 gear loops are optimized for fast access to gear
- 2 integrated slots for Hub racking carabiners
- Haul loop

Harnesses ENERGY CR 4



DETAILED DESCRIPTION



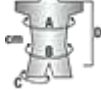
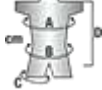
Ref.	Product name	Size	Weight Size (M)						Haul Loop	EN 12277/C
			g	oz	B - Waist (cm)	B - Waist (in)	C - Legs (cm)	C - Legs (in)		
2871	ENERGY CR 4	XS-M	380	13.4	62-82	24,4-32,3	46-56	18,1-22	•	•
		M-XL			76-100	29,9-39,4	52-62	20,5-24,4		

- A versatile and highly adjustable harness for rock climbing at every level
- Thermo-formed padding on the waist and legs molds to the body for exceptional comfort
- 2 auto-locking buckles on the waist combine with adjustable leg loops for a broad fit range
- 4 webbing reinforced gear loops
- Haul loop

Harnesses TOPAZ II



DETAILED DESCRIPTION

Ref.	Product name	Weight						EN 12277/C
		g	oz	B - Waist (cm)	B - Waist (in)	C - Legs (cm)	C - Legs (in)	
3215	TOPAZ II	620	21.9	60-110	23,6-43,3	38-70	15-27,6	•

- One size fits all with a very wide adjustment range
- Waist belt features the exclusive Special FIT System to adapt to a wide size range
- Sliding waistband and leg loops can be centered for optimal comfort
- 6 mm expanded EVA foam padding with a soft, breathable mesh inner lining
- Auto-locking steel buckles are quick and easy to adjust
- Differentiated color leg loops for easy identification
- Single front attachment point is reinforced for frequent use
- 2 reinforced gear loops and a loop for connecting a chalk bag.

CAMP FLYTE PULLEY

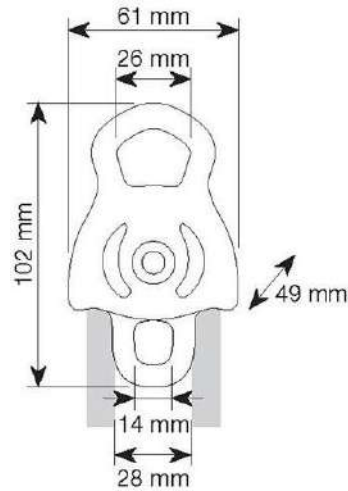


Product Description

Linear double pulley specifically designed for crossing cables and zip lines.
Sealed ball bearings for low friction and high speed (max 20 m/s).
Aluminum alloy main body and stainless steel wheels.
Accommodates ropes up to 13 mm and steel cables up to 12 mm in diameter.
Large main attachment hole and secondary connection point on top.

New	Ref.	Product name	Weight		Inner sheave diameter mm	Rope diameter Max mm	Cable diameter Max mm	Working load Max		Breaking load		Ball bearings	Sheave material	CE
			g	oz				kN	LBF	kN	LBF			EN 12278
	3121	FLYTE	280	9.9	27	13	12	10 kN	2248 LBF	20	4497	•	Stainless steel	•

CAMP DRYAD - Pulley



Product Description

- **Compact double pulley**
- **Self-lubricated brass bushings with 80% efficiency**
- **Aluminum alloy body and sheaves, stainless steel axle**
- **Prusik-minding**
- **For ropes up to 13 mm**

The Dryad is a remarkably compact double pulley designed for quick and easy haul systems. It features a large primary attachment hole that accommodates two carabiners and a lower bucket hole for a single carabiner. Self-lubricated brass bushings are perfect for light applications at low speed. Prusik knots can be installed on either side (aramid cord suggested) making it particularly useful for crevasse rescue scenarios.

CAMP TETHYS PULLEY



Product Description:

A compact and lightweight pulley with rotating flanges and a large attachment point that accommodates two carabiners. For use with ropes up to 13 mm. Prusik minding, the self-locking knot can be installed on both sides. Self-lubricated bushings are sufficient for light applications at low speed. Efficiency: 80%. Aluminum alloy body and wheel, stainless steel axle.

Ref.	Product name	Weight		Inner sheave diameter mm	Rope diameter Max mm	Working load Max		Breaking load		Brass bushing	Sheave material	CE EN 12278	EAC
		g	oz			kN	LBF	kN	LBF				
2154	TETHYS	100	3.5	28	13	2 kN x 2 = 4 kN	450 LBF x 2 = 900 LBF	24	5396	•	Aluminum alloy	•	•

CAMP SWIVEL - Swiveling anchor



Product Description:

Aluminum alloy swivel with sealed ball bearings designed to prevent ropes from twisting and tangling.

Ref.	Product name	Weight		Strength	Working load Max	CE	EAC
		g	oz	kN	kg		
1393	SWIVEL	150	5.3	35	300	.	.

BASIC DUO - Full body harness



DETAILED DESCRIPTION

Ref.	Product name	1. Size	Weight		Dimensions			CE EN361
			g	oz	A - Chest (cm)	C - Legs (cm)	D Height (cm)	
1275	BASIC DUO	One-size	790	27.9	80-140	45-75	55-85	

A full body harness with 2 attachment points for fall arrest: 1 sternal double textile loop, 1 dorsal steel ring.

Easy Belt (ref.1268) can be attached for work positioning.

Steel components.

One size fits all.

HARNESSES GOLDEN TOP EVO ALU



DETAILED DESCRIPTION

Ref.	Product name	Size	Weight					CE EN358 / EN 361
			g	oz	B - Waist (cm)	C - Legs (cm)	D Height (cm)	
094112	GOLDEN TOP EVO ALU	S-L	1990	70.2	70-110	45-65	55-75	
		L- XXL	2090	73.8	80-130	55-75	65-85	

An incredibly comfortable and supportive full body harness for intensive rope access work. Ergonomic padding wraps around the worker's back and shoulders for exceptional support and ventilation strips on the back and leg loops allow for air flow. Ventral attachment features two loops: the upper loop is for attaching a chest harness and chest ascender and the lower loop holds the ventral D-ring for attaching lanyards and rope tools. Supplied with the HMS Belay Lock connector that features an anti-rotation system. Equipped with a keeper strap for securing a chest ascender in a streamlined way. STS automatic buckles on the leg loops. 5 aluminum alloy attachment points: 1 sternal and 1 dorsal for fall arrest, 1 ventral for suspension and 2 side for positioning and restraint. Equipped with NFC TRACK tag for digital identification. 2 sizes.

ICE AXES NEVE



DETAILED DESCRIPTION

Ref.	Product name	Length	Weight		Pick material	Shaft material	Spike material	EN13089	CE
			g	oz					
3120	NEVE	50 cm	438	15.5	Chromoly Steel	2.5 mm 6082 Alu	Chromoly steel		
		57 cm	475	16.8					
		65 cm	515	18.2					
		73 cm	560	19.8					

The Neve is a classic, reliable ice axe for mountaineering and glacier travel. The forged chromoly steel head has an ergonomic design for a secure grip and good comfort. The pick is engineered for solid anchoring in hard snow and a high level of control during self-arrest. The adze has an ergonomic profile and is engineered for chopping snow and ice. The steel spike plunges cleanly and the holes in the spike and head can be used with carabiners for leashes and tethers. Comes equipped with the Touring Leash (1305).

ICE AXE ALPINA



DETAILED DESCRIPTION

Ref.	Product name	Length	Weight		Pick material	Shaft material	Spike Material
			g	oz			
2291	ALPINA	50 cm	500	17.6	Chromoly Steel	2.5 mm 7075 Alu	Chromoly steel
		57 cm	540	19.1			
		65 cm	585	20.7			
		73 cm	610	21.5			

- Rugged T-rated pick and shaft (CE-UIAA type 2)
- Forged chromoly steel head
- Ergonomic head design for a comfortable grip
- Asymmetric steel spike plunges smoothly
- Equipped with the technical Alpina leash (1304)
- Carabiner holes at the head and spike for easy clipping
- Striking colors coordinate with the technical C12 crampons
- CC4U wear indicator warns when the pick is dull beyond the safe limit

With its super-strong T-rated construction on the head and shaft, the Alpina is the right choice for intensive use on rugged alpine terrain. The unique forged chromoly steel head delivers superior strength and durability. A refined pick provides excellent performance both when swinging into ice and during self arrest. The curve and arc of the adze have been optimized for maximum cutting performance, a feature greatly appreciated when chopping a platform. In addition, the sculpted head with the thermoplastic cap creates a comfortable hand grip when using the axe as a cane.

ICE AXES X-DREAM



DETAILED DESCRIPTION

Ref.	Product name	Weight		Modular head	Pick material	Shaft material	CE
		g	oz				
2864C	X-DREAM	595	21.0	•	Chromoly Steel	2.5mm 7075 Alu	EN 13089

- Hyperlight, perfectly balanced, fully featured tool for technical dry, mixed and ice climbing
- Multi-part head design with four pick options -- the Mixte and Ice picks can be combined with hammer or adze for amazing versatility
- Comes standard with the Mixte pick; Ice, Race and Total Dry picks can be purchased separately
- Ergonomic handle with innovative adjustment system to change between Dry and Ice angles
- The handle is constructed from extreme cold resistant polymer laid over the hot-forged aluminum alloy spine
- Micro-adjustable trigger finger ledges and X-Rest insert adjust the overall height and size of the handle
- X-Trigger pommel attaches to the shaft for a third position
- X-Grip 2 included

The X-Dream combines two tools in one – a fully optimized tool for technical ice and an aggressive dry tooling machine. This amazing ice axe not only features four different T rated

picks for various terrain, but it also incorporates an innovative adjustment system in the handle to fine tune the swing and pull even further. Use the allen bolt above the grip to switch between Dry and Ice positions. In the Dry position, the handle kicks upward for a more down and out pull. The Ice position drops the handle for a more natural swing on ice. Climbers can further refine the X-Dream with micro-adjustable trigger finger ledges (choose from two inserts – the X-Finger Small or the X-Finger Large – that can be flipped over to adjust the position) and the X-Rest insert which adjusts the overall height of the handle. All four picks feature a refined beak and tooth configuration. They are designed to provide solid sticks with minimal effort making them the perfect choice for brittle ice and technical mixed terrain. The X-Dream comes standard with the Mixte pick. The Ice pick brings the tip 6 mm closer to the handle, but maintains the same angle as the Mixte pick. The Mixte and Ice picks can be used alone or with the hammer or adze. The Race pick features a sharp beak for grappling with rock. The Total Dry pick is designed for maximum performance on overhanging dry tooling routes and in competitions.

ICE AXES X-ALL MOUNTAIN - HAMMER



- Lightweight, technical ice tool designed for big mountain terrain
- Multi-part head design with two pick options that can be combined with hammer or adze
- 3 part handle can be optimized for different conditions

DETAILED DESCRIPTION

Ref.	Product name	Weight		Pick material	Shaft material	Spike material
		g	oz			

2990C	X-ALL MOUNTAIN - Hammer	571	20.2	Chromoly Steel	2.5mm 7075 Alu	Chromoly Steel
2991C	X-ALL MOUNTAIN - Adze	575	20.3	Chromoly Steel	2.5mm 7075 Alu	Chromoly Steel

Lightweight, technical ice tool designed for big mountain terrain

- Multi-part head design with two pick options that can be combined with hammer or adze
- 3 part handle can be optimized for different conditions and hand size
- Steel spike has a hole large enough to clip a carabiner for use with lanyards




The X-All Mountain is a technical ice tool designed to handle everything the big mountains throw at it. The balance and geometry are optimized to climb vertical ice with unparalleled proficiency and the rest of the features allow the tool to adapt to the varied terrain typical of advanced alpinism. The multi-part head can be configured with a hammer or adze. The three-part handle can be configured to fit hand size and the terrain being climbed. The steel spike is big enough to function as a cane and has a hole that is large enough to clip a carabiner for use with lanyards.

CRAMPON STALKER UNIVERSAL



DETAILED DESCRIPTION

Ref.	Product name	Weight	Weight no antibott	Size (*) ①	Boot type	Frame material
------	--------------	--------	--------------------	---------------	-----------	----------------

		g ①	oz	g	European ①	 Automatic  Semi-Automatic  Universal	NiCrMo Steel
292003	STALKER - UNIVERSAL	895	31.6	800	36-48		

- Our best-selling crampons
- Optimized fit for all types of boots with the new universal binding design
- Flexible linking bar and pre-shaped front platform adapt precisely while walking
- 12 points deliver a high level of performance on technical terrain
- Easy size adjustment requires no tools
- Dynamic anti-balling plates prevent snow build up
- Carrying case included




The Stalker crampon provides a precise fit on modern mountaineering boots and technical performance that only a true 12-point crampon can deliver. It is an excellent choice for safe travel in the mountains. Traditional chromoly steel construction is proven to stand the test of time and the universal binding with thermoplastic harnesses wrap around the boots and are secured by strong polyester straps. Dynamic anti-balling plates prevent snow build up.

CRAMPON ASCENT AUTO / SEMI-AUTO



DETAILED DESCRIPTION

Ref.	Product name	Weight	Weight no antibott	Size (*) ①	Boot type	Frame material
------	--------------	--------	--------------------	---------------	-----------	----------------

		g ①	oz	g	European ①	 Automatic  Semi-Automatic  Universal	NiCrMo Steel
2978	ASCENT - AUTO / SEMI-AUTO	728	25.7	660	34-48		

- Lightweight steel crampons for mountaineering
- Asymmetric design and flexible linking bar follow the contours of modern boots to ensure a precise fit
- Binding parts are interchangeable between Auto/Semi-Auto and Universal
- Compact frame takes up less space in the pack
- Delivered standard with automatic and semi-auto toe bails (Universal Heel sold separately)
- Dynamic anti-balling plates included
- Micro-adjustable linking bar with large and small range settings allows for a precise fit without the use of tools
- Dyneema® linking straps (available separately) reduce weight and allow the crampons to fold onto themselves for tighter packability
- 2 front bail positions, 2 heel bail positions, 3 heel bail height settings
- Adjustable fold-over carrying case with lashing straps included

The Ascent is a lightweight steel crampon for mountaineering. It uses a minimalist design to reduce weight without compromising performance. The compact frame is particularly rigid and the points are positioned for aggressive traction and maximum stability. The Ascent Auto/Semi-Auto is delivered standard with both automatic and semi-auto toe bails. Binding parts are interchangeable between Auto/Semi-Auto/Universal (sold separately). The fit can be optimized with the micro-adjustable flexible linking bar, 2 front bail positions, 2 heel bail positions and 3 heel bail height settings. Dynamic anti-balling plates prevent snow build-up underfoot.

ICE SCREWS ROCKET PLUS 19 CM



DETAILED DESCRIPTION

Ref.	Product name	Weight		Color	Material		
		g	oz		Screw	Crank	Webbing
298613C	ROCKET PLUS 13 cm	118	4.2	Yellow	CrMo Steel	Aluminum alloy	Dyneema®
298616C	ROCKET PLUS 16 cm	133	4.7	Blue	CrMo Steel	Aluminum alloy	Dyneema®
298619C	ROCKET PLUS 19 cm	144	5.1	Grey	CrMo Steel	Aluminum alloy	Dyneema®

- Rocket ice screws with integrated Dyneema slings eliminate the need for a quickdraw
- Lightweight, strong and durable chromoly steel construction
- Reverse angle threads for smooth driving and maximum holding power
- Front teeth engineered for the fastest and easiest placements even in the coldest, most compact ice
- Chromoly steel hanger spins freely on the screw which allows the screw to be placed and removed while clipped to the rope
- Fixed Dyneema sling has two loops – the top loop is for racking and short fixing at anchors, the bottom loop is designed to be pre-equipped with a carabiner
- Fixed aluminum alloy levers for the fastest possible placements and differentiated color knobs for easy identification
- EN 568 certified

The Rocket Plus uses an integrated Dyneema sling to eliminate the need for a quickdraw. With a Nano 22 or a Photon Wire carabiner, it is one of the lightest ice screws in the world and has the benefit of being able to be placed and removed while clipped to the rope. The fixed Dyneema sling has two loops for easy operation. The top loop is for racking and short fixing at anchors and the bottom loop is designed to be pre-equipped with a carabiner. The chromoly steel construction is lightweight, strong and durable. The front teeth have been engineered for the fastest placements even in the coldest, most compact ice. Reverse angle threads ensure smooth driving and maximum holding power.

TREKKING POLES BACKCOUNTRY 3.0



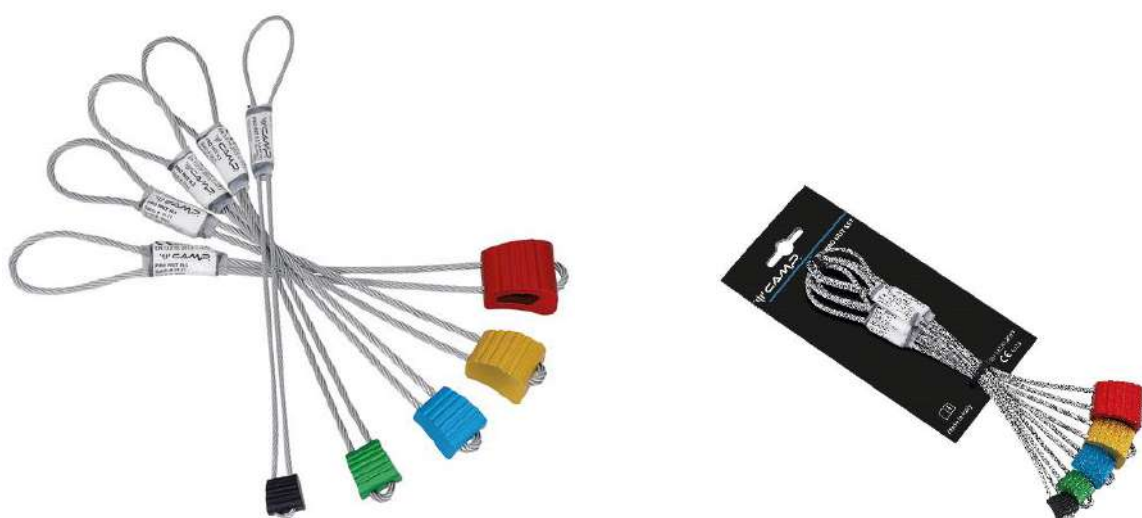
DETAILED DESCRIPTION

Ref.	Product name	Weight		Adjustable length		Collapsed length		N° of segments	Section	Material
		g	oz	cm	in	cm	in		Mm	Pole
3221	BACKCOUNTRY 3.0	542	19.1	64-135	25.2-53.2	64	25.2	3	ø 18-16-14	6061 Aluminum


- Telescoping 3-segment aluminum alloy trekking poles are sturdy and extremely durable
- Graduated lower segments for easily setting the correct length
- Soft foam grips are ergonomically shaped for all-day comfort
- The top of the grip uses dense, grippy rubber for enhanced control and greater resistance to wear and tear
- Fast clip adjustable wrist loops are made in soft material and differentiated for right and left hands ("R" and "L") for optimal comfort and are easy to adjust while moving
- Extendable from 64 to 135 cm
- Fast and secure locking system with an aluminum alloy clip makes adjustment quick and easy
- The tightening of the screw that adjusts the locking of the aluminum clip does not require the use of tools
- Carbide tips for the best traction and durability
- Rubber tip protectors included
- Supplied with small baskets (equipped as standard) and large baskets (included in the package) for use in every season

The Backcountry 3.0 is designed for tireless hikers who need the maximum in stability, strength and durability. Aluminum alloy construction is sturdy and tough. Telescoping 3-segment design compacts to 64 cm when not in use. The lower segment is graduated to make it easy to set the poles at the correct length. The grip uses a unique blend of soft foam for the main part of the grip for all day comfort and a dense, grippy rubber on the top part of the grip for enhanced control and greater resistance to wear and tear. The wrist straps are easy to adjust while moving and are differentiated for right and left hands for optimal comfort. Carbide tips for the best traction and durability.

ROCK PROTECTION PRO NUT SET (1-5)



DETAILED DESCRIPTION

Ref.	Product name	Weight		Range Min		Range Max			
		g	oz	mm	in	Mm	in		
3101	PRO NUT N.1	12	0.4	7	0.28	13	0.51	5	
	PRO NUT N.2	20	0.7	10	0.39	16	0.63	7	
	PRO NUT N.3	30	1.1	13	0.51	20	0.79		
	PRO NUT N.4	37	1.3	15	0.59	23	0.91	10	
	PRO NUT N.5	41	1.4	18	0.71	27	1.06		

- Curved design provides secure placements and easy removal
- Grooves help with setting and extraction in hard stone
 - Color-coded heads for faster selection

A set of Pro Nuts covering the essential range of nuts for the modern trad rack.

ANCHORING DEVICES AND WEBBINGEXPRESS SLING



DETAILED DESCRIPTION

Ref.	Product name	Weight		Strength	Material	CE		
		g	oz	kN		EN 354	EN 795/B	EN 566
3130060	EXPRESS SLING 60 cm	55	1.9	25	Polyester		•	
3130120	EXPRESS SLING 120 cm	110	3.9	25	Polyester		•	

- Available in 2 lengths: 60 and 120 cm
- Breaking load 25 kN

Sewn rings of 20 mm polyester webbing available in 2 lengths: 60 and 120 cm. Sturdy and easy to handle, they are ideal for use in anchors and rigging.

NRS E-161 Self-Bailing Raft



Product Details:

Fill the big, high-capacity NRS E-161 with fun-seeking paddlers and head for the rapids! The asymmetrical design provides plenty of passenger room, excellent performance and an exciting ride.

- With a narrower width and more pointed bow, the E-161 will conquer big rapids without smoothing out the waves.
- The flat stern operates as a guide platform and the lower rocker there improves paddling performance.
- Four thwarts provide room for up to 12 paddlers plus a guide.
- Heavy-duty Pennel Orca® material is super abrasion, chemical and UV-resistant for unmatched durability.
- Full-coverage high-density polyurethane floor armor slides over rocks in low water and protects your floor and tubes from wear and tear of boulders and beaches.
- Four main tube air chambers give you extra security in emergency situations.
- Self-bailing floor with quick-draining holes allows you to leave the bucket at home.
- 14 2" D-rings and 8 handles make rigging and launching the E-1610 a snap.
- Trouble-free Leaffield™ C7 Valves ensure easy inflation/deflation of the tubes, thwarts and floor, and the Leaffield A6 Pressure Relief Valve protects the floor.
- The NRS BAT (Batten Attachment Thwart system) lets you easily add or remove thwarts to accommodate paddlers or a rowing frame.
- Built outfitter tough, this may be the last raft the private boater will ever need to buy.
- 10-year retail warranty, 6-year commercial.

Specs:

Series:	Expedition
Length:	16'
Width:	7' 2"
Weight:	176 lbs.

Tube Diameter:	20"
Number of Thwarts:	4
<u>Bow Kick:</u>	30.5"
<u>Stern Kick:</u>	29"
Number of Air Chambers:	9
Valve Type:	Leaffield - C7
Self Bailing:	Yes
Type of Material:	Pennel Orca
<u>Weight/Denier of Tube Material:</u>	48/1670
<u>Weight/Denier of Floor Material:</u>	48/1670
Number of D-rings:	14
Number of Handles:	8
<u>Center Compartment Width:</u>	45"
<u>Suggested NRS Frame Width:</u>	66"
Maximum Frame Length:	96"
Repair Kit:	Yes
<u>Warranty:</u>	10 Years Retail, 6 Years Commercial
Notes:	<ul style="list-style-type: none"> • NRS and STAR boats are hand built by skilled craftsmen. <p>Measurements on individual boats can vary from design specifications by up to +/- 2". Use these specs as guidelines and check your boat if the measurement is critical.</p>

NRS Otter-150 Self-Bailing Raft



+

Product Details:

When your rafting hobby becomes a passion, it's time to consider the outfitter-grade NRS E-150. This super burly 15' raft is ideal for extended multiday floats or tackling serious whitewater with a crew.

- 20" tubes and 7' width provide the stability, control and maneuverability difficult rivers demand.
- 94" maximum frame length gives you room to pack everything, including the kitchen sink.
- Pile in up to 11 paddlers with optional third thwart.
- Heavy-duty Pennel Orca® material is super abrasion, chemical and UV-resistant for unmatched durability.
- Full-coverage high-density polyurethane floor armor slides over rocks in low water and protects your floor and tubes from wear and tear of boulders and beaches.
- Four main tube air chambers give you extra security in emergency situations.
- Self-bailing floor with quick-draining holes allows you to leave the bucket at home.
- 14 2" D-rings and 6 handles make rigging and launching the E-150 a snap.
- Trouble-free Leaffield™ C7 Valves ensure easy inflation/deflation of the tubes, thwarts and floor, and the Leaffield A6 Pressure Relief Valve protects the floor.
- The NRS BAT (Batten Attachment Thwart system) lets you easily add or remove thwarts to accommodate paddlers or a rowing frame.
- Built outfitter tough, this may be the last raft the private boater will ever need to buy.
- 10-year retail warranty, 6-year commercial.

Specs:

Series:

Expedition

Length:	15'
Width:	7'
Weight:	153 lbs.
Tube Diameter:	20"
Number of Thwarts:	2
<u>Bow Kick:</u>	29"
<u>Stern Kick:</u>	29"
Number of Air Chambers:	7
Valve Type:	Leaffield - C7
Self Bailing:	Yes
Type of Material:	Pennel Orca
<u>Weight/Denier of Tube Material:</u>	48/1670
<u>Weight/Denier of Floor Material:</u>	48/1670
Number of D-rings:	14
Number of Handles:	6
<u>Center Compartment Width:</u>	45"
<u>Suggested NRS Frame Width:</u>	66"
Maximum Frame Length:	94"
Repair Kit:	Yes
<u>Warranty:</u>	10 Years Retail, 6 Years Commercial
Notes:	<ul style="list-style-type: none"> • NRS and STAR boats are hand built by skilled craftsmen. <p>Measurements on individual boats can vary from design specifications by</p> <p>Use these</p> <p>specs as guidelines and check your boat if the measurement is</p> <p>critical.</p>

NRS Tuff Sacks



Product Details:

Drop your gear in the bag, fold down that watertight closure and forget about it. Professional outfitters around the globe rely on NRS Tuff Sacks to keep gear dry all season long, season after season.

- The heavy-duty PVC-Free TobaTex material combined with welded seams result in a rugged, waterproof bag that will keep your gear dry and withstand the seasonal use and abuse.
- Designed in a variety of sizes, the Tuff Sack can fit everything from sunscreen and on-the-boat essentials, to clothing for a week off-the-grid.
- Exclusive to NRS, the StormStrip™ closure system coupled with heavy-duty plastic buckles provide a watertight seal and a convenient carry handle.
- A D-ring on the quick-release buckle provides a handy attachment point.

Specs:

Weight:

- 5L - 0.40 lbs
- 10L - 0.60 lbs
- 15L - 0.70 lbs
- 25L - 1 lbs
- 35L - 1.20 lbs
- 45L - 1.45 lbs

Filled & Rolled Dimensions:

Material:

Closure System:

Features:

- 55L - 1.60 lbs

[Available Sizes](#)

18 oz. TobaTex

Fold-down StormStrip™ closure

- D-ring attachment point

NRS 65L Bill's Bag Dry Bag



Product Details:

Since 1977, outfitters, guides and weekend warriors have relied on Bill's Bags to keep their overnight gear dry trip after trip, year after year. This midsize dry bag can compact enough to fit in overhead compartments of most airlines and is the perfect size for weekend and overnight trips.

- Constructed with heavy-duty 21 oz TobaTex body with a reinforced bottom of 34 oz TobaTex, the Bill's Bags will outlast a generation worth of adventures.
- Expandable for over 3900 cubic inches of storage capacity but can be cinched down with four compression straps to compact and stabilize gear.
- Aluminum fasteners on the compression straps increase durability and eliminate busted buckles.
- The StormStrip™ closure system provides a confident seal and allows for easy top loading access.
- The adjustable backpack harness with padded shoulder straps makes carrying your gear around rapids or into a secluded camp easy and comfortable.
- The backpack harness is removable. This is a handy feature when flying with the bag, reducing baggage handling snag points.

Specs:

Weight:	3.80 lbs
Filled & Rolled Volume:	65L
Filled & Rolled Dimensions:	14" Dia x 24" H (measured fully packed and closed)
Material:	21 oz. TobaTex body, 34 oz. TobaTex bottom
Closure System:	Fold-down StormStrip™ closure
Features:	<ul style="list-style-type: none"> • Removable backpack harness • Padded shoulder straps

Sizing

Size	Dimensions
65L	14" Dia x 24" H
110L	16" Dia x 33" H
140L	16" Dia x 42" H

Color: Red/ Blue/ Yellow

NRS Ninja PFD



Product Details:

Designed for athletic performance, the NRS Ninja PFD is the ultimate low-profile jacket for paddlers of all persuasions. We've concentrated all the flotation into a smaller surface area for unbeatable range of motion, so the Ninja stays out of your way and off your mind.

- Soft PVC-free foam panels are shaped for comfort and the floating front panel follows your movements and doubles as a handwarmer on chilly days.
- AirMesh fabric on shoulder straps and inner panels provide ventilation throughout the jacket.
- Side-entry with six adjustment points for a customizable fit.
- Redesigned front clamshell pocket features internal organization for essentials and the dual-entry zippers create a frosty-beverage-compatible pocket.
- Features a lash tab and strap garages.
- The Ninja is a great option for adults with short torsos or petite kiddos who have grown out of youth jackets' weight range.
- The Ninja is a Type III, low-profile life jacket designed with 16.3 pounds of flotation and carries the US Coast Guard Certification, through testing by Underwriters Laboratories (UL).

Specs:

Weight:	2.15 lbs.
Category:	<ul style="list-style-type: none">• Low-Profile Life Jackets• Side-Entry Life Jackets
<u>US Coast Guard Type:</u>	III
<u>Profile:</u>	Low
Design Flotation:	16.3 lbs.

Outer Fabric:	400-denier ripstop nylon
Lining:	200-denier nylon
Entry System:	Side buckle
Pockets:	<ul style="list-style-type: none"> • 1 - Front
Lash Tabs:	<ul style="list-style-type: none"> • 1 - Front
Adjustment System:	<ul style="list-style-type: none"> • 4 - Side • 2 - Shoulder
Features:	<ul style="list-style-type: none"> • US Coast Guard Certification • Strap garages <p>Clamshell pocket with internal organization</p>

Sizing

Size	Chest
S/M	33"-40"
L/XL	38"-46"

NRS Zen Rescue PFD



Product Details:

The NRS Zen PFD is a low-profile rescue jacket with all the features essential to assist guides and experienced paddlers in a swiftwater rescue situation.

- The NRS Zen is a Type V life jacket delivering 18 lbs 10 oz of flotation.
- Based on the popular NRS Ninja PFD, the low-profile design of the Zen allows unrestricted range of motion.
- Floating front panel moves freely with your upper body and padded arm holes and sides provide crucial impact protection.
- The fully-featured rescue vest includes reinforced shoulder straps, 1 1/2" quick-release rescue belt with a releasable carabiner attachment loop for a tow tether, strobe attachment and lash tab.
- A compartmentalized clamshell pocket is big enough to stow and organize a small first aid kit or other rescue essentials.
- The hand warmer has an integrated pocket with zippered closure for additional quick-access storage.
- Six adjustment points for a customizable fit.
- The Zen carries the US Coast Guard Certification through testing by Underwriters Laboratories (UL).

Specs:

Weight:	3 lbs
Category:	<ul style="list-style-type: none">• Low-Profile Life Jackets• Rescue Life Jackets• Side-Entry Life Jackets
<u>US Coast Guard Type:</u>	V
<u>Profile:</u>	Low
Design Flotation:	18.6 lbs.
Outer Fabric:	400 denier ripstop nylon with Cordura® reinforcements
Entry System:	Side buckle
Pockets:	<ul style="list-style-type: none">• 1 - Front• 2 - Side
Lash Tabs:	<ul style="list-style-type: none">• 1 - Front
Adjustment System:	<ul style="list-style-type: none">• 4 - Side• 2 - Shoulder
Features:	<ul style="list-style-type: none">• 1 1/2" quick-release rescue belt• Reinforced shoulder straps

- Tow tether carabiner attachment
- US Coast Guard Certification

Sizing

Size	Chest
S/M	31"-37"
L/XL	38"-44"

COLOR

Charcoal/Teal / Red / Black

NRS Big Water V Youth PFD



Product Details:

Comfortable and durable, the NRS Big Water V Youth PFD delivers the high-floating capabilities that parents can trust.

- The Big Water V Youth life jacket is a high-profile, Type V PFD delivering 17.0 lbs. of flotation for young people weighing 50-90 lbs.
- Contouring foam panels create a more comfortable and adaptive fit.

- Flotation collar helps keep your head above water while floating on your back.
- Four heavy-duty front buckles make entry, exit and adjustment simple and quick.
- Webbing loops for leg straps add extra security in big water. (Leg Straps sold separately).
- The Big Water V carries the US Coast Guard Certification, through testing by Underwriters Laboratories (UL).

Specs

Weight:	2.2 lbs
Category:	<ul style="list-style-type: none"> • Kids' Life Jackets • Commercial Life Jackets • High-Float Life Jackets
<u>US Coast Guard Type:</u>	V
<u>Profile:</u>	High
Design Flotation:	17.0 lbs.
Outer Fabric:	400-denier ripstop nylon
Entry System:	Front buckle
Adjustment System:	<ul style="list-style-type: none"> • 4 - Side • 2 - Shoulder • 2 - Waist
Features:	<ul style="list-style-type: none"> • Flotation collar • Webbing loops for leg straps (sold separately) • Fits youth 50-90 lbs, 24"-29" chest • UL approved, USCG certified
COLOR	Red / Yellow / Green / Orange

NRS Chinook Fishing PFD



Product Details:

With all the organization and attachment points needed for your fishing accessories, the NRS Chinook Fishing PFD is the world's best-selling life jacket for kayak anglers. Not only is it designed to make you more effective on the water, the comfort of the Chinook simply can't be beat.

- The Chinook is a Type III, medium profile life jacket delivering 16.0 pounds of flotation.
- PlushFit™ foam and a high-back design combine to create an extremely comfortable vest for any type of raft or kayak seat.
- A mesh lower-back offers added ventilation on warm days.
- Two large, zippered pockets, sized for tackle boxes, with internal organization, plus two smaller accessory pockets with hook-and-loop closure.
- A fifth, tool holder pocket offers quick access to pliers, line cutters or other fishing gadgets and accessories.
- Also features a rod holder, strobe attachment point, reflective accents and knife lash tab.
- The zippered front entry and six adjustment points offer a customized fit.
- The Chinook carries the US Coast Guard Certification through Underwriters Laboratories (UL).

Specs

Weight:

2 lbs

Category:

- Fishing Life Jackets
- Mesh-Back Life Jackets

US Coast Guard Type:

Profile:

Design Flotation:

Outer Fabric:

Entry System:

Pockets:

Lash Tabs:

Adjustment System:

Features:

- Front-Zip Life Jackets

III

Medium

16.0 lbs.

400-denier ripstop nylon

Front zip

- 5 - Front
- 1 - Front
- 4 - Side
- 2 - Shoulder
- 1 - Waist
- Rod holder loop
- Strobe holder loop
- Reflective accents
- Pockets with internal organization
- Shoulder strap keepers

Sizing

Size	Chest
XS/M	30"-42"
L/XL	42"-52"
XL/XXL	50"-56"

NRS Big Water V



Product Details:

The NRS Big Water V PFD is the industry-leading commercial life jacket known for its comfort, durable construction and high-floating capabilities.

- The Big Water V is a high-profile, Type V PFD delivering 25.1 lbs. of flotation.
- Contouring foam panels create a more comfortable and adaptive fit.
- Highly adjustable to fit a and a range of body types.
- Flotation collar helps keep your head above water while floating on your back.
- Four heavy-duty front buckles make entry, exit and adjustment simple and quick.
- Webbing loops for leg straps add extra security in big water. (Leg Straps sold separately).
- The Big Water V carries the US Coast Guard Certification, through testing by Underwriters Laboratories (UL).

Specs

Weight:	2.8 lbs
Category:	<ul style="list-style-type: none">• Commercial Life Jackets• High-Float Life Jackets
<u>US Coast Guard Type:</u>	V
<u>Profile:</u>	High
Design Flotation:	25.1 lbs.
Outer Fabric:	420-denier nylon

Entry System:

Adjustment System:

Features:

Front buckle

- 4 - Side
- 2 - Shoulder
- 2 - Waist

- Flotation collar
- Webbing loops for leg straps (sold separately)
- UL approved, USCG certified

Sizing

Size	Chest
Universal	30"-52"
Universal Plus	46"-58"

Carlisle Oar Blade 8" Outfitter



Product Details

The Carlisle 8" wide Outfitter Blade gives you more power for big water and big loads. Carlisle oar shafts and blades can be found on all the world's waters.

- Lightweight UV-resistant blades are molded of high-impact, glass-filled synthetic material.
- Tempered aluminum spline runs the length of the blade for superior strength.
- Push button locks the 1 5/8" diameter shank of the blade in Carlisle, Cataract and 1 7/8" Sawyer oar shafts.

Specs

Weight:	3 lbs
Category:	<ul style="list-style-type: none">• Oars & Blades
Blade Material:	High-impact glass-filled synthetic
Blade Size:	8" W x 27" L
Features:	<ul style="list-style-type: none">• Push Button Lock• Aluminum Spine• Combine with Carlise or Cataract 1 7/8" oar shafts

COLOR

Black / Yellow

NRS Kinetic Water Shoes



Product Details:

If you need to tuck your feet into tight kayaks, or want to feel more in touch with your SUP board, the NRS Kinetic is your wetshoe. Warmth and protection in a flexible, compact package.

- Upper and insole are constructed with 3 mm Terraprene neoprene with titanium to keep your feet warm from heel to toe.
- 1.5 mm textured rubber sole won't add bulk, and still protects your feet both in and out of the boat.
- Naturally shaped toe box provides a roomy, non-binding fit.
- Stretchy rubber bands improve lateral stability and help hold the shoe to your foot.
- Shoe-top draw cord keeps your foot snug and secure.
- Armor patches guard the upper from abrasion and add even more protection for your foot.

Specs

Gender Sizing:	Unisex
Material Upper:	3 mm neoprene
Sole:	1.5 mm rubber
Marking Sole:	No
Insole:	3 mm neoprene
Shim:	2 mm plastic shim
Closure System:	Drawcord with barrel lock adjustment
Taped Seams:	No

Category:

- Water Shoes

Features:

- Rubber support bands

Sizing

	Size	Europe	UK
Youth (6-10 yrs)	5	38.5	4
Youth (6-10 yrs)	6	39.5	5
Men's	7	40.5	6
Men's	8	41.5	7
Men's	9	42.5	8
Men's	10	44	9
Men's	11	45	10
Men's	12	46.5	11
Men's	13	47.5	12

Werner Rio FG Paddle



Product Details:

An advanced river running design at an introductory price. The Werner Rio's mid-size blades are well balanced and easy to use, making this a great paddle for beginner and intermediate kayakers.

- 30 degree blade offset balances solid bracing with reduced wind resistance.
- Features Werner's fiberglass shaft for a superior strength-to-weight ratio.
- The combination of fiberglass and nylon in the blades are impact and wear resistant at a lower price point.
- The Rio's mid-size blades are great for all around river running.

Specs

Blade Material:	Fiberglass-reinforced nylon
Blade Size:	19.5 cm W x 41 cm L (7.7" W x 16.1" L)
Blade Surface Area:	655 sq cm / 101.5 sq in
Blade Shape:	Asymmetrical
Shaft Material:	Fiberglass
Shaft Shape:	Straight
<u>Feather:</u>	30 degree
Breakdown:	No
<u>Control:</u>	Right hand
Small Shaft Stocked:	No
Weight:	197 is 37.75 oz (1070 g)
Application:	<ul style="list-style-type: none">• Whitewater - river running• Whitewater/Touring - crossover
Features:	<ul style="list-style-type: none">• Mid-size blades are well balanced and easy to use, making this a great paddle for beginner and intermediate kayakers.• Advanced river running design is stable and balanced• Premium fiberglass shaft has Werner's legendary bomber strength• Fiberglass reinforced nylon blades are light and durable

Size : 194cm / 197cm / 200cm / 220cm / 230cm

NRS PTE Economy Paddle



Product Details:

The NRS PTE Economy Paddle is your affordable choice for a recreational rafting and canoeing paddle.

- 20"L x 7 3/4"W ABS blade has plenty of surface area for a full-bodied stroke.
- 1" aluminum shaft is fully sheathed in polyethylene for a comfortable grip.
- T-grip handle aids paddle control.
- The PTE paddle is designed for flat to calm water paddling; if you're looking for an affordable whitewater paddle, check out the NRS PTC Paddle (item #: 77101.01).
- Weight: 28 oz. at 60"
- Paddle sizes: 48", 54", 57" 60", 66"

Specs

Blade Material:	High-impact ABS plastic
Blade Size:	18.6 cm W x 50.8 cm L (7.75" W x 20" L)
Blade Shape:	Symmetrical
Shaft Material:	Polyethylene-covered aluminum
Breakdown:	No

Weight:

60" is 28 oz (794 g)

Application:

- Rafting
- Canoeing

NRS PT Guide Paddle



Product Details

Built to handle the wrath of guiding season, the NRS PT Guide Paddle combines rugged material with durable construction methods to deliver a guide stick for the toughest paddle boats.

- Slightly heavier 1 1/4" shaft constructed with 1 mm aluminum delivers big when power strokes are needed.
- High-impact ABS plastic blended blade creates a stronger blade that's less prone to catastrophic shattering.
- Comfortable T-grip handle for excellent paddle control.
- Sizes: 60", 63", 66", 69", 72"

Specs

Blade Material:	70% ABS plastic/30% polycarbonate
Blade Size:	19.7 cm W x 50.8 cm L (7.75" W x 20" L)
Blade Shape:	Symmetrical
Shaft Material:	1mm thick aluminum
Breakdown:	No
Weight:	66 is 40 oz (1134 g)
Application:	<ul style="list-style-type: none">• Rafting Guiding

NRS Coil Paddle Leash



Product Details

What's a kayak without a paddle? Don't lose yours. Tether your paddle to your wrist or deck rigging with the NRS Coil Paddle Leash, and save yourself a swim and maybe some money.

- Expands from a compacted 18-inches to a full five-foot stretch.
- Snap swivel lets you easily disconnect the leash when necessary and prevents twisting so you don't have to stop and unravel your leash.
- Attachment end secures to your wrist or your boat giving you multiple safety options.

- We've included a zippered bag with carabiner for compact storage on or off the water.

Specs

Length:	18" extending up to 5'
Weight:	4.8 oz
Includes:	<ul style="list-style-type: none">• Zippered storage bag
Features:	<ul style="list-style-type: none">• Snap swivel prevents twisting• Hook-and-loop attachment

NRS Bungee Paddle Leash



Product Details

There are a number of things to worry about when you have to unexpectedly wet exit. Having your paddle attached to your boat or hand with the NRS Bungee Paddle Leash guarantees your paddle won't be one of those worries.

- Using the hook-and-loop closures, secure one end of the leash to your paddle and the other to your hand or deck rigging.
- Features three-feet of 3 mm bungee shock cord.
- Swivel joints at each end of the cord to the hook-and-loop attachments help prevent tangling.

Specs

Length:	3'
Weight:	4 oz
Features:	<ul style="list-style-type: none">• 3 mm shock cord• Swivel joint

NRS Pilot Knife



Product Details:

Both rescue professionals and recreational boaters love the features of the NRS Pilot Knife. Not only does its unique design attract attention, the sheath provides convenient access and release of the knife when you need it most.

- An excellent knife for freshwater boating and rescue. For saltwater use, choose the NRS Titanium Pilot Knife.
- The cutting edge has both smooth and serrated sections plus a rope cutting hook.
- The blunt tip design protects against unintentional puncture of your gear or yourself!
- As another safety feature, the blade is only sharpened on the one edge. This, along with the blunt tip, helps prevent injury in a tight rescue situation.
- The unique sheath firmly locks the knife in place and only lets it go when you squeeze both sides of the release.
- The comfortable rubberized grip wraps around the contoured handle, giving you maximum control of the blade.

- The sheath clip attaches firmly to a PFD lash tab.
- The handle has a built in glass breaking tip on the end.
- Also included is a bottle opener in the handle of the knife.

Specs

Blade Material:	420 HC Stainless Steel
Handle Material:	Glass-reinforced polypropylene with TPR over mold
Sheath Material:	Fiberglass-reinforced nylon
Total Length:	7.38"
Blade Length:	3"
Weight:	5.5 oz
Knife only Weight:	3.5 oz
Blade Edge:	Smooth and serrated
Blade Tip:	Blunt
Features:	<ul style="list-style-type: none">• Matte finish on orange, blue and green handle models• PVD coating on black handle model• Rope cutting hook• Glass-breaking point at handle end• Square hole in handle doubles as a valve wrench for an Oxygen tank• Bottle opener hole in handle
COLOR	Black / Blue / Green / Orange

WRSI Current Helmet



Product Details:

Constructed with high-quality materials and advanced technologies, the WRSI Current Helmet is anything but basic. Combined with a plush inner lining, it can't be beat in safety or comfort.

- A multi-impact shell combines with an EVA foam liner and a polyurethane sub-shell to effectively dissipate impacts.
- The Interconnect Retention System securely holds the helmet in place under hydraulic forces. As the force of the water pushes the helmet back, the interconnect system self-adjusts to hold the helmet firmly in place.
- A plush, breathable liner compresses and conforms for a secure, comfortable fit.
- Easily remove the liner to dry out, wash or replace.
- Adjustable O-Brace Harness conforms to the back of the head to help keep the helmet safely positioned.
- Vented shell keeps you cooler and lets water drain.

Specs

Weight:	Size M/L 1.45 lbs.
Certification:	CE EN 1385
Shell Material:	ABS plastic with a polyurethane sub-shell
Liner Material:	Removable, replaceable padded liner
Vented:	Yes
Adjustment:	Interconnect Retention System

Ear Coverage:

No

Features:

- 3 ventilation/drain holes

Sizing

Size	Head Circ. (in)	Head Circ. (in)
S/M	53 - 56	20.9 - 22.0
M/L	56 - 59	22.0 - 23.2
L/XL	59 - 62	23.2 - 24.4

COLOR

Phantom / Salsa / Ghost / Fjord / Lime

WRSI Current Pro Helmet



Product Details

Modeled after the popular Current Helmet, the WRSI Current Pro features the same advanced technologies and plush comfort with added safety features to enhance protection in riskier paddling conditions.

- A multi-impact shell combines with an EVA foam liner and a polyurethane sub-shell to effectively dissipate impacts.
- Adjustable O-Brace Harness conforms to the back of the head to help keep the helmet safely positioned.
- The Interconnect Retention System securely holds the helmet in place under hydraulic forces. As the force of the water pushes the helmet back, the interconnect system self-adjusts to hold the helmet firmly in place.
- Removable, perforated earpads are designed to provide extra warmth and reduce impacts from waves without interfering with hearing.
- A plush, breathable liner compresses and conforms for a secure, comfortable fit.
- Easily remove the liner to dry out, wash or replace.
- The visor keeps sun and rain out of your eyes and adds another layer of protection for your face.

Specs

Weight:	Size M/L 1.75 lbs.
Certification:	CE EN 1385
Shell Material:	ABS plastic with a polyurethane sub-shell
Liner Material:	Removable, replaceable padded liner
Vented:	No
Adjustment:	Interconnect Retention System
Ear Coverage:	Removable
Features:	<ul style="list-style-type: none">• Visor

Size	Head Circ. (cm)	Head Circ. (in)
S/M	53 - 56	20.9 - 22.0
M/L	56 - 59	22.0 - 23.2
L/XL	59 - 62	23.2 - 24.4

COLOR Ghost / Phantom / Poseidon / Olive

NRS Chaos Full Cut Helmet



Product Details:

The NRS Chaos Full Cut Water Helmet is an excellent choice when you're looking for safe, economical and comfortable head protection. Ventilated lower cut covers the ears without interfering with hearing.

- This adjustable helmet gives you the features you need and the style you want at a price that won't break the bank.
- Durable ABS plastic shell dissipates impacts.
- Dual-density EVA foam provides outstanding comfort and protection.
- Quick-adjust harness lets you customize the fit for total security.
- Eight top ventilation ports keep you cool on those hot days.
- Three ventilation ports on each side let you hear what's going on while the lower side cut protects the ears.
- Multiple sizes and quick-adjust harness ensure you'll find the right fit.

Specs

Shell Material:	ABS plastic
Liner Material:	Dual-density EVA foam
Vented:	Yes
Adjustment:	Quick-adjust harness
Ear Coverage:	Yes
Features:	<ul style="list-style-type: none">• 8 top ventilation ports

- 3 ventilation ports over the ear on each side

Size	Head Circ.(cm)	Head Circ. (in)
XS	52.5-54	20.7-21.3
S	54-55.5	21.3-21.9
M	55.5-57.5	21.9-22.6
L	57.5-59.5	22.6-23.4
XL	59.5-61.5	23.4-24.2

COLOR Red / Blue / Black / Yellow / White

NRS Havoc Livery Helmet



Product Details

The NRS Havoc Helmet is your one-size-fits-most solution to whitewater safety. Our DialFit system lets you quickly and easily adjust the fit to accommodate almost any head size.

- Protect nearly any adult with the same helmet. No more mixing and matching.
- The ratchet-adjust DialFit system lets you custom fit the Havoc with the simple twist of a knob.
- Fits head circumference 55-59cm (21.5"-23").
- An adjustable chin strap ensures comfort and security.
- Plush FIT pads in key contact points provide extra comfort.
- Six ventilation/drainage ports let air in and water out.
- ABS plastic shell is lightweight and durable.
- Glued-in EVA foam liner offers excellent impact protection.
- Meets CE 1385 standards for whitewater safety.

Specs

Certification:	CE EN 1385
Weight:	1 lb
Shell Material:	ABS plastic
Liner Material:	Closed-cell EVA foam
Vented:	Yes
Adjustment:	DialFit adjustment
Ear Coverage:	No
Features:	<ul style="list-style-type: none">• 6 ventilation/drain holes
COLOR	Red / Blue / Black / Yellow / White
Size	Universal

NRS Men's Paddle Wetshoe



Product Details:

Despite the high-top design for added support and protection, the NRS Men's Paddle Wetshoe maintains a low profile for fitting into tight boats. Thick neoprene coupled with a soft interior lining provides maximum insulation, while a hardy rubber sole protects your feet from rocks.

- A sustainable alternative to traditional neoprene, petroleum-free Terraprene neoprene is made from limestone and recycled tires.
- Construction combines a 3 mm thick neoprene upper with titanium adhesive throughout for increased warmth.
- A 3 mm thick high-traction sole, paired with a 5 mm neoprene insole and 2 mm plastic shim provides maximum protection.
- Cush graphene-infused interior provides thermal-conductive properties for more warmth while also reducing water retention.
- A hook-and-loop webbing strap across the top of the foot adjusts for a customized fit.
- Designed with a naturally shaped toe box for all-day comfort.
- The gusset-backed YKK® entry zipper opens wide, letting you easily slip the Paddle Shoe on and off, whether barefoot or over socks.
- Also features a webbing pull tab to aid in donning.
- Reinforced at the toe and heel for long-lasting durability.

Specs

Weight:	1.7 lbs.
Gender Sizing:	Men

Material Upper:	3 mm neoprene
Sole:	3 mm rubber
Insole:	5 mm neoprene
Shim:	2 mm plastic shim
Closure System:	Ankle zipper
Taped Seams:	No
Category:	<ul style="list-style-type: none"> • Water Shoes
Features:	<ul style="list-style-type: none"> • Padded ankle patch • Stabilizing bands • Naturally shaped toe box • Adjustable hook-and-loop webbing strap across the top

	Size	Europe	Uk
Youth (6-10 yrs)	6	39.5	5
Men's	7	40.5	6
Men's	8	41.5	7
Men's	9	42.5	8
Men's	10	44	9
Men's	11	45	10
Men's	12	46.5	11
Men's	13	47.5	12
Men's	14	48	13

NRS Wedge Rescue Throw Bag



Product Details:

Good things can come in small packages. The NRS Wedge Throw Bag is compact, so it fits in any space in your boat - no excuses for not carrying it. Always there for that vital rescue toss.

- 55' of floating 1/4" polypropylene gives you the reach you need to pluck that swimmer out of the water.
- Compact, flattened shape slides easily inside your boat.
- Foam panels inside the bag keep it afloat for safety and visibility.
- Mesh sides on the bag give drainage and quick drying for the rope.
- Bright colors and reflective tape make the bag highly visible for the rescuer and rescuee.
- Max Load: 950 lbs. (Maximum load indicated is for the rope alone knots may reduce weight capacity)

Specs

Weight:	15 oz.
Rope Length:	55'
Rope Material:	Polypropylene
Rope Diameter:	1/4"

Load Max:	950 lbs. (4.2 kN)
Features:	<ul style="list-style-type: none">• Mesh side panels• Foam flotation panels• Reflective tape
COLOR	High Vis Green / Yellow

NRS Pro Compact Rescue Throw Bag



Product Details:

The NRS Pro Compact Throw Bag is an excellent choice for anyone planning for swiftwater rescue work where light weight and a strong rope are desirable. The yellow Cordura® bag

with 70' of 1/4" UltraLine Water Rescue Rope rated at 2495 pounds is easy to stow and highly visible.

- Made of highly visible and durable Cordura, NRS throw bags quickly secure to D-rings, boat frames or canoe thwarts with quick-release 1" straps.
- Internal flotation and floating rescue rope keeps our rescue bags on top of the water where it's needed.
- The mesh panel gives good drainage and reduced rope dry time.
- Barrel-lock drawstring incorporated in a flared nylon top for smoother throws, plus easy reloading and closure.
- Pro models include reflective tape on the bag for increased visibility.

Specs

Weight:	1 lb.
Rope Length:	70'
Rope Material:	Polypropylene sheath with Spectra core
Rope Diameter:	1/4"
Load Max:	2495 lbs. (11.1 kN)
Features:	<ul style="list-style-type: none">• Mesh on top of bag for quicker drying• Reflective tape on throw bag
Color	Yellow

NRS Guardian Wedge Waist Throw Bag



Product Details:

Conveniently worn around your waist, the Guardian Waist Throw Bag is always at your fingertips, whether you're in your boat or scouting a rapid.

- A waist bag with quick-release belt holds a compact, removable throw bag.
- The outer bag has a wide hook-and-loop flap and a zipper to facilitate removing the inner bag. Drainage holes in the bag expel water quickly.
- Removable Wedge Throw Bag has foam flotation to keep it on top of the water, mesh sides for drainage and drying, and reflective taping for increased visibility.
- Throw bag contains 55 feet of 1/4" polypropylene rope, with a maximum tensile strength of 950 pounds.
- A quick-release buckle on the adjustable waist belt ensures safe exit in an emergency.
- The internal throw bag comes completely free from the waist belt.
- Webbing loops along the belt allow you to attach carabiners.

Specs

Rope Length:	55'
Rope Material:	Polypropylene
Rope Diameter:	1/4"
Load Max:	950 lbs. (4.22 kN)
Features:	<ul style="list-style-type: none">• Adjustable waist belt with quick release buckle• External bag holds internal throw bag and has drainage holes• Wedge throw bag has foam flotation, mesh drainage and reflective taping• Webbing loops for carabineers

NRS Standard Rescue Throw Bag



Product Details:

Whitewater safety is a serious matter. The NRS Standard Rescue Throw Bag is an excellent tool for protecting you and your buddies in swiftwater emergency situations.

- Rugged Cordura® bag is tough as nails and comes in two high visibility colors.
- 2" mesh panel for better drainage and reduced dry time.
- The 3/8" polypropylene rope is yellow for high visibility.
- The rope has a 1,900 pound tensile strength and it floats for good visibility on the water.
- A barrel-lock drawstring is incorporated in a flared nylon top for smoother throws, plus easy reloading and closure.
- An elastic loop and 'pocket' will hold a glow stick or "chem light" for low light rescues.
- Internal foam flotation keeps the bag on the top of the water where you need it for rescue.

Specs

Weight:	2 lb 4 oz
Rope Length:	75'
Rope Material:	Polypropylene
Rope Diameter:	3/8"
Load Max:	1900 lbs. (8.45 kN)

Features:

- Mesh on top of bag for quicker drying
- Webbing loop for glow stick

Carlisle Standard Paddle



Product Details

The industry standard! This 1-1/8" aluminum shaft extends well into the blade for added strength and is covered with polyethylene to provide a warm, secure grip. The 8" x 20" molded blade uses super-strong polypropylene for a powerful yet lightweight paddle. **Sizes:** 57", 60"

Specs

Grip:	T-grip
Blade Material:	High-impact polypropylene
Blade Size:	20.3 cm W x 50.8 cm L (8" W x 20" L)
Blade Shape:	Symmetrical
Shaft Material:	Fully clad aluminum
Shaft Shape:	Straight
Breakdown:	No
Weight:	60" is 34 oz (964 g)
Application:	<ul style="list-style-type: none">• Rafting• Canoeing

Carlisle Economy Paddle



Product Details

This inexpensive, lightweight, sturdy paddle is great for rafting and canoeing. It features a 7.75" x 20.5" polypropylene blade and a 1" diameter aluminum shaft. A T-grip handle and 8" gripping area complete the package.

Specs

Grip:	T-grip
Blade Material:	High-impact polypropylene
Blade Size:	19 cm W x 52 cm L (7.75" W x 20.5" L)
Blade Shape:	Symmetrical
Shaft Material:	Tempered aluminum
Shaft Shape:	Straight
Breakdown:	No
Weight:	60" is 30 oz (850.5 g)
Application:	<ul style="list-style-type: none">• Rafting• Canoeing
Color	Black
SIZE	57" / 60" / 66"

NRS 1" HD Tie-Down Straps



Product Details

Born on the river, ready for whatever. First sold in 1978 as a better way to tie down gear and frames on whitewater rafts, the NRS 1" Heavy Duty Strap is known the world over for its incredible strength and versatility. The ultimate DIY tie-down solution, every boater, outdoorsperson and homeowner should own an assortment of sizes.

- Unlike clunky ratchet straps and cheap imitations the NRS Strap is strong, easy, fast and simple with unlimited usefulness.
- UV-protected polypropylene webbing won't stretch when wet and delivers an impressive Minimum Breaking Strength (MBS) of 1,500 lbs.
- Custom cam buckle features dual stainless-steel springs for a strong, even bite that won't slip, ever.
- The strap size is prominently indicated on the buckle so there's never any guesswork.
- Iconic Blue straps keep with the traditional design with the strap size woven into the webbing.
- A woven name tag near the buckle lets you reclaim your straps from friends who borrow but don't return.
- Hidden bottle opener on the buckle aids one of the most popular "strap hacks."

Material:

- Polypropylene webbing
- Die cast, treated zinc buckle

Minimum Breaking Strength (MBS): 1,500 lbs.
Working Load Limit (WLL): 500 lbs.

Features:

- Strap length etched into buckle (also woven into Iconic Blue webbing)
- Integrated bottle opener in buckle
- Woven name tag
- Webbing treated with UV protectant

Notes:

- All strap lengths are measured in feet

NRS Men's Flux Dry Top

**Product Details:**

Kayakers looking for reliable dryness and breathability trust the NRS Men's Flux Dry Top. Purpose-built with room to layer underneath without restricting mobility, so when you miss that boof stroke, you can't blame the Flux.

- Premium 4-Layer Eclipse™ fabric for superior dryness, breathability and toughness.
- Tough latex gasket at the neck and wrists with Glideskin™ neoprene volcano-style overcuffs for added durability.
- Action-cut design provides superior comfort and freedom of movement.
- Inner skirt with a dual-adjust neoprene waist mate with your sprayskirt to keep you and your cockpit dry.
- Features one PFD-friendly, splashproof, zippered shoulder pocket.

Specs:

Weight:	1.6 lbs
Fit:	Relaxed fit
Material:	Eclipse™
Material Type:	Eclipse™
Waterproof:	Yes
Breathable:	Yes
Neck Closure:	Latex gasket with neoprene volcano-style overcuff
Wrist Closure:	Latex gaskets with volcano-style neoprene overcuffs
Waist System:	Double-pull hook-and-loop closure
Double Tunnel:	Yes
Pockets:	<ul style="list-style-type: none">• 1 - Sleeve
Latex Neck Gasket:	Yes
Latex Wrist Gaskets:	Yes
Reflective Detailing:	No
Gender Sizing:	Men

Size	Height	Weight (lbs)	Chest
XXS	4'9"-5'1"	80-100	24"-28"
XS	4'11"-5'3"	90-125	28"-32"
S	5'2"-5'6"	115-140	32"-36"
M	5'5"-5'8"	130-165	36"-40"
L	5'7"-6'0"	150-195	39"-43"
XL	5'10"-6'2"	185-225	42"-46"
XXL	6'1"-6'4"	215-245	46"-50"
3XL	6'3"-6'5"	230-255	49"-52"
4XL	6'4"-6'6"	245+	51"-53"

Boat Line



Product Details:

3/8" braided polypropylene is resistant to rot, abrasion, mildew, petroleum products and most other chemicals. Not recommended for rescue lines. Non floating.

- Tensile strength 1080.
- Sold by the foot or in spools of 500'.
- Maximum **continuous** length sold by the foot: 500'.

Specs

Size:	3/8"
Material:	Polypropylene
Tensile Strength:	1080 lbs.
<u>Elongation:</u>	Dynamic
Features:	<ul style="list-style-type: none">• Comfortable Grip• Non-floating rope• Not recommended for rescue rope

NRS Sliq Screw Lock Carabiner



Product Details:

The NRS Sliq Screw Lock Carabiner provides tactile security and reliability with a traditional screw-lock gate.

- Our Sliq family of keylock carabiners are multi-purpose workhorses that strike the ultimate balance of strength and durability in a lightweight package.
- Hot-forged aluminum alloy construction for reliable safety without the heft.
- Large gate opening for easily clipping in or attaching to gear.
- Easy-to-hold asymmetrical D shape functions like a classic D-shape without the weight.
- Screw-lock gates require users to manually screw the sleeve onto the gate to lock it.
- Anodized finish provides years of lasting performance.
- Carries the CE EN12275 certification.

Specifications:

1 kN = 225 lbs of force

Strength Closed: 25kN

Specs

Material:	Anodized aluminum alloy AL-7075 with stainless rivets and wires
<u>Carabiner Strength Closed:</u>	25 kN = 5625 lbs.
<u>Strength Open:</u>	9 kN = 2025 lbs.
Dimensions:	98 mm L x 60 mm W
Gate Opening:	17 mm

Weight:	54 g
Locking Mechanism:	Screw lock
Features:	<ul style="list-style-type: none">• Certified CE EN12275

NRS Drylander Shock Cord Sprayskirt



Product Details:

Designed as an entry-level to intermediate skirt, the NRS Drylander Shock Cord is best suited for class I-IV whitewater. It's patterned to stretch easily and fit drum-tight on today's kayak designs.

- Rubberized inner deck coating grips the kayak coaming from the inside, resisting slippage.
- Tough 4 mm neoprene surface holds well under pressure.
- Infinity Coating on the front edge and sides gives great protection in high-wear areas.
- 2 mm Extend™ material with four-way stretch Superspan tunnel gives a snug comfortable fit.

Specs

Deck Material:	4 mm Terraprene
Tunnel Material:	4 mm Terraprene
Rand Type:	Shock cord
Tunnel Adjustment:	Fixed
Grab Loop:	Nylon webbing with rubber grip
Category:	<ul style="list-style-type: none">• Sprayskirts & Cockpit Covers
Features:	<ul style="list-style-type: none">• Infinity coating at front and side deck edges• Pre curved deck• Rubberized inner deck coating

Sizing

Size	Waist
S	26"-28"
M	28"-33"
L	33"-37"
XL	37"-40"

Deck	Length	Width
S	28"-32.5"	15.5"-19"
M	31"-34.5"	17"-20.5"
L	34"-37.5"	19"-22"

NRS Pennel Orca Footcups



Product Details

When digging for the big waves, your NRS Footcups will hold you in! V tape on all stress-bearing seams prevents ripping. Pennel Orca® material and 3" wide webbing with reinforced stress points add durability. The toe is blocked in for safety. The best footholds on the market.

Specs

Material:	Pennel Orca®
Dimensions:	<ul style="list-style-type: none">• Gluing surface is 10" across the top
Category:	<ul style="list-style-type: none">• Footcups• Hypalon / Pennel Orca
Features:	<ul style="list-style-type: none">• 3" wide webbing reinforces the opening and maintains the pocket shape
COLOR	Etna Red / Alpin Blue / Artic Gray / Yellow Colorado

NRS D-Ring Pennel Orca Patch



Product Details:

Two layers of nylon webbing secure the D-Ring to a 840 denier 42-oz. neoprene base. A strip of neoprene covers the nylon, protecting it from UV and abrasions. Colored Pennel Orca® is glued on top to complete the patch. D-Rings are stainless steel, and available with 4.5", 6" or 8" patches. (8" patches are good for replacing D-Rings that have been removed because it covers the area of the old patch.)

Specs

Dimensions:	<ul style="list-style-type: none">• 2" stainless steel D-ring with 6" or 8" diameter Pennel Orca® patch• 1" stainless steel D-ring with 4.5" diameter Pennel Orca® patch
Category:	<ul style="list-style-type: none">• D-Rings• Hypalon / Pennel Orca
Features:	<ul style="list-style-type: none">• For Pennel Orca or neoprene
COLOR	Alpin Blue / Yellow Colorado / Etna Red

NRS Pennel Orca Raft Handles



Product Details:

NRS Pennel Orca® Raft handles provide a strong, durable grip for carrying your raft or cataraft to and from the water. Best for use with Pennel Orca® and Hypalon® inflatable boats.

- This raft handle can take all the use and abuse you can throw at it, even in the most hostile environments.
- Tough Pennel Orca material covers the burly 1.5" nylon webbing handle.
- The 12" x 5" Pennel Orca Patch provides a large gluing surface and disperses the load across a broad area for superior strength.
- Use it to add extra handles to your boat for easier carrying, or to replace worn-out or inferior handles.
- Attach to your Pennel Orca or Hypalon boat using Clifton Hypalon adhesive.

Specs

Category:

- Handles
- Hypalon / Pennel Orca

Features:

- 12" x 5" Pennel Orca® patch
- Pennel Orca coated 1.5" webbing handle

Sterling Tubular Webbing



Product Details:

Strong and tough. Convenient anchor points for all rescue systems. 1 1/16" tubular webbing with 3000 lb. tensile strength

Webbing sold by the foot or sold in spools of 300'.

Maximum **continuous** length sold by the foot: 300'.

Specs

Size:	1 1/16"
Material:	Nylon
Tensile Strength:	3000 lbs.
COLOR:	RED / BLUE / BLACK

Carlisle Oar Shaft



Product Details:

Proven around the world, Carlisle's tough, maintenance-free, quality aluminum oar shafts give you maximum strength and performance.

- **Shaft lengths are listed as the final length, which will include the approximately 27" long blade you choose (sold separately). For a list of ACTUAL shaft lengths, please see the Specs section.**
- The 1-7/8" outside diameter thick-walled tempered aluminum tubing is sheathed in colorful, abrasion-resistant polyethylene tubing.
- 8' and longer oars have reinforced inner shafts for extra-duty strength.
- Rubber grips cushion the molded plastic handles.
- Blades are sold separately so that you can choose the width and brand that best suits your needs. The removable blades also permit easy storage and transport.

Weight :	9' shaft weight is 4.85 lbs		
Sizes:	Shaft	Standard Blade (sold separate)	Approximate Overall Length
	56.5"	27"	7'
	62.5"	27"	7.5'
	68.5"	27"	8'
	74.5"	27"	8.5'
	80.5"	27"	9'
	86.5"	27"	9.5'
	92.5"	27"	10'
Category:	• Oars & Blades		

Shaft Material: Aluminum encased in polyethylene

Molded Oar Sleeve



Product Details:

Protect your oars with Molded Oar Sleeves. Made from tough, injection-molded polyethylene with an inside diameter of 1 7/8" to fit over Cataract and Carlisle oar shafts.

- Oar Sleeves protect the shafts of your oars from abrasion and fit nicely in open oar locks.
- They clamp securely to the oar shaft with a threaded bolt and nut.
- Oar Rights and Convertible Oar Rights fit over the Oar Sleeves for positive blade orientation.
- If you're not using Oar Rights, add Plastic Oar Stoppers to hold the oar in place against the oarlock.

Specs

Length:	10"
Inside Diameter:	1.9"
Outside Diameter:	2.25"
Weight:	6 oz each
Category:	<ul style="list-style-type: none">• Oar Parts & Accessories
Features:	<ul style="list-style-type: none">• Fits on Cataract and full-size Carlisle oar shafts

Oar Right



Product Details:

Oar Rights work to keep your oar blade in the right position while rowing for full-power strokes.

- The spline of the Oar Right fits between the horns of an open oarlock to "lock" your oar blade in position for the most effective stroke.
- You can still feather the oar blade by simply tugging the oar in so the spline of the Oar Right clears the oarlock horns.
- For Carlisle and Cataract oars, use the Molded Oar Sleeve with the Oar Right for proper fit.
- The Oar Right clamps securely to the Molded Oar Sleeve with two beefy stainless steel bolts. (Sleeves sold separately.)
- Molded glass fill Nylon construction will give you years of trouble-free service.
- Large: Adjusts from 2" to 2 1/4" (Carlisle & Cataract Oars with Oar Sleeve)
Small: Adjusts from 1 3/8" to 1 5/8" (Bluewater Oars and Economy Oars using XS Oar Sleeve).

Specs

Material:	Molded glass fill nylon
Weight:	12 oz (for size L pair)
Dimensions:	<ul style="list-style-type: none">• Large: Adjusts from 2" to 2 1/4" (Carlisle & Cataract Oars with Oar Sleeve). Circular collar is 3 7/8" in diameter• Small: Adjusts from 1 3/8" to 1 5/8" (Cataract Mini-Mag Oars and Economy Oars using XS Oar Sleeve). Circular collar is 3 1/4" in diameter.
Category:	<ul style="list-style-type: none">• Oarlocks & Oar Rights
Features:	<ul style="list-style-type: none">• Stainless steel bolts• Fits Cataract factory rope wrap

NRS Atomic Aluminum Oarlock



Product Details:

The ultra-strong, hot-forged NRS Atomic Aluminum Oarlock combines state-of-the-art technology with time-tested design. Pound for pound, this is the lightest, toughest oarlock out there.

- Our drop-forge production process yields a much higher strength-to-weight ratio compared to cast or machined aluminum components, making the NRS Aluminum Oarlock both lightweight and incredibly strong.
- It is extremely hard to "pop" an oar through the tines of the NRS Aluminum Oarlock, allowing you to row big water with more confidence.
- If somehow you do pop an oar, the tines return to their original shape, so you're not left with a bent oarlock.
- In hot forging, a metal blank is heated to a precise temperature, then the part is stamped out under extreme pressure.
- The secret to the part's strength is the aligning of the metal's crystalline structure by the heat and stamping.
- Durable anodized finish eliminates oxidation and discoloration.
- Smooth finish protects oar shafts, rope wrap and oar sleeves from wear.
- Includes split rings to keep the oarlock from riding up.

Specs

Weight: 3 oz each

Category:	<ul style="list-style-type: none">• Oarlocks & Oar Rights
Material:	Hot-forged aluminum
Horn Opening:	1 5/8"
Inside Diameter:	2 3/8"
Shaft Diameter:	5/8"
Shaft Length:	3 1/2"
Total Length:	6 7/8"
Includes:	<ul style="list-style-type: none">• Split ring with each oarlock

Rubber Oar Stopper



Product Details:

The Rubber Oar Stopper keeps your oar shaft from sliding through the oarlock. Fits both Carlisle and Cataract oar shafts.

- The 1" thick rubber stopper goes right over the oar shaft, not over the Molded Oar Sleeve.
- The 1 5/8" inner diameter is a tight fit on the shaft. Use either soap and water or hair spray to lubricate the stopper and shaft to slide it on. As it dries, hair spray also gives an adhesive effect to hold the stopper in place.

Specs

Weight:	3 oz
Category:	<ul style="list-style-type: none">• Oar Parts & Accessories
Features:	<ul style="list-style-type: none">• 1" thick• Inner diameter: 1 5/8"• Outer diameter: 2 1/8"

NRS Frame Oar Mounts



Product Details:

The NRS Frame Oar Mounts comes stock on many of our raft and cataraft frames. Now in high-tech hot-forged aluminum for a stronger, lighter, sleeker mount.

- Forging aligns the crystalline structure of the aluminum, creating a stronger oar mount.
- This increased strength has allowed us to streamline the design, reducing weight by 25% over the older model.
- A tough nylon bushing allows the oarlock shank to rotate friction free, and the bushing is easily replaceable, Item # 91043.01.
- You can easily adjust the oar mount's height by rotating it on the side rail.
- Molded ridges on the gripping surface increase holding power on our 1 5/8"OD frame pipe.
- Accepts 5/8" diameter oarlocks and pins.
- A pair of oar mounts includes two U-bolts with nylon lock nuts and four washers.
- **Singles do not come with hardware. If you don't already have hardware, you'll need an NRS Frame U-bolt to attach the oar mount to an NRS frame.**

Specs

Weight:	<ul style="list-style-type: none">• 6" single: 1.5 lbs• 8" single: 1.875 lbs• 10" single: 2.44 lbs
Category:	<ul style="list-style-type: none">• Frame Parts
Material:	Hot-forged 6061-T6 aluminum alloy
Features:	<ul style="list-style-type: none">• Pairs include 2 u-bolts with nuts and washers

Lynch Pin Oarlock Keeper



Product Details:

Tired of trying to put Split Rings on your oarlock? The Lynch Pin Keeper lets you safely secure your oarlock without fingernails or frustration. It's the finger-friendly alternative to split rings.

Specs

Dimensions:	<ul style="list-style-type: none">• 3/16" diameter x 1 1/8" long pin• 1 3/8" diameter ring
Weight:	0.7 oz each
Category:	<ul style="list-style-type: none">• Oar Parts & Accessories

Pelican Protector Case Dry Boxes



Product Details:

Since 1976 Pelican has produced the finest waterproof, dustproof, crushproof containers. Use the Pelican Protector Cases for your electronic, photographic and survival gear.

- The heavy-duty polypropylene case is engineered with reinforcement details that defy outside forces.
- Interior volumes (without the foam) range from 150 cu.in. (2.5 l) to 2843 cu in. (46.6 l.). Use the Sizing tab chart to determine the best size for your needs.
- A replaceable silicone O-ring provides that positive waterproof, dustproof seal that blocks out the elements.
- Easy-open, double-throw latches clamp the lid securely.
- An automatic pressure relief purge vent lets you open the otherwise airtight case after changes in temperature and pressure.
- Watertight to a depth of 3.3 feet (1 meter) for 30 minutes (IP 67) if properly closed with undamaged o-ring in place.
- Replaceable Pick N Pluck foam insert is scored in 3/8" square segments. Remove segments to fit and protect sensitive equipment.
- "Egg crate" convoluted foam in the lid adds extra cushioning.
- Two anchor points let you add padlocks for extra security.
- Comfortable carry handle for transportation and tiedown.
- All metal hardware is corrosion-resistant stainless steel.
- Cases are made in the USA.
- Cases carry the Pelican lifetime guarantee against breakage or defects in workmanship.

Specs

Case Material:	Structural polypropylene
Interior Liner:	Replaceable open-cell polyurethane Pick N Pluck foam

Category:

- Hard Cases

Features:

- Replaceable silicone O-ring seal
- Easy-open, double-throw latches
- Automatic pressure relief purge vent
- Watertight to a depth of 3.3 feet (1 meter) for 30 minutes (IP67)
- Two anchor points for padlocks
- Comfortable carry handle
- Stainless steel metal hardware
- Made in USA
- Lifetime guarantee against breakage or defects in workmanship

Size: 1120 / 1150 / 1170 / 1200 / 1300 / 1400 / 1450 / 1500 / 1550 / 1600