



**MILTON
STEEL**

One stop Shop for your piping products. . . .

As a pioneer and leader in the manufacturing industry, Milton Steel was established in the year 1996 is at the forefront of technology and research. We are constantly innovating, listening to the rapidly changing market and giving the consumer the best value for his money.

Leveraging upon in-depth understanding of the global industry, we are capable in providing our customers with best possible solutions that meet with their industry specific requirements. We maintain a large stock of our products to provide a perennial supply of goods to our customers. All our materials are available with full traceability records by way of Mill certificates/Test certificates of test carried out by reputed and Govt. Approved laboratories. Our consistent adherence to international standard of quality has enabled us to cross many milestones of success surpassing others in today's fiercely competitive market scenario.



About Us



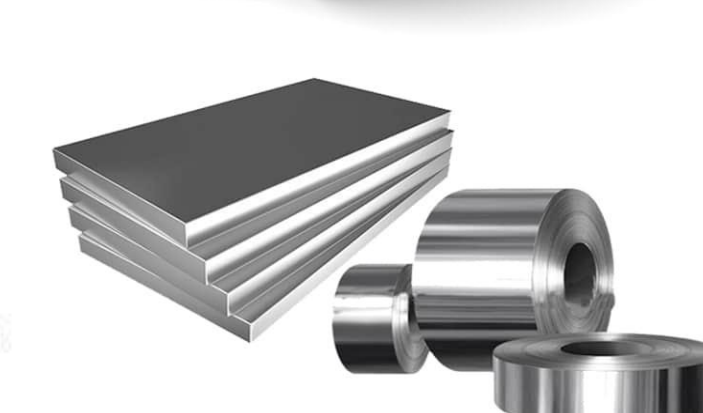
Customer Service

Keeping efficient and friendly customer service as the top concern, provides ultimate flexibility in fulfilling each & every customer requirement irrespective of the size of order. Most of our clients are doing business with us since years, which indicates higher levels of customer satisfaction. We always welcome any queries or suggestions from our clients to improve the services and hence to serve them better.

OUR PRODUCTS

We offer wide range of products which are available in the following formations:

- Pipes & Tubes
- Round & Hex Bars
- Sheets, Plates & Coils
- Forge & Pipe Fittings
- Flanges
- Steel Circles & Rings
- Structural Material



APPLICATION

Our products have wide application in Chemical, Pharmaceuticals, Heat Exchangers, Aviation Industry, Hydro Metallurgy, Oil & Gas, Food Processing, Dairy Equipment, Agriculture, Household, Electronics, Architecture, Astronautics, Furniture, Fabrication, Mining, Power Generation, Nuclear , Shipping, etc



Grades and Specification offered for our materials:

Sr no	Type Of Materials	Grades
1	Stainless Steel	301, 303, 304, 304L, 309, 309S, 310, 310S, 316, 316L, 316Ti, 317, 317L, 321, 347, 410, 416, 420, 422, 430, 430F, 430F Din, 431, 440A, 440B, 440C, 446 etc
2	Carbon Steel	A106 Gr B, API 5L Gr B, API X SERIES Pipe, IS 2062, C-45, C-65, AISI 1008 , 1018 , 1022 etc 3
3	Titanium	Grade 1,2,3,5,7,9,11,23
4	Hastelloy	B, B2, C22, C276, X
5	Inconel / Incoloy	600, 601, 625, 718, 800, 825
6	Monel	400, 500, k500
7	Duplex Steel	F51 (31803), F60 (32205)
8	Super Duplex Steel	F53 (32750), F55 (32760) 32550, 31254 etc
9	Precipitation Hardening	17-4PH (630), 15-5PH
10	Nitronic	Nitronic 30, Nitronic 50, Nitronic 60
11	Nickel	200, 201, 205, 212, 222, 270
12	Alloy Steel	SAE 4140. SAE 8640, En Series etc

MILTON STEEL

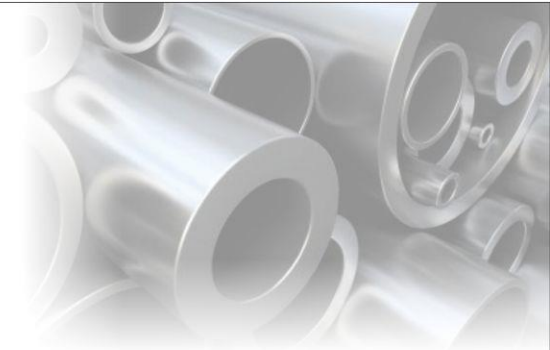
Vipul T. Shah
98920 87465

Vishal Shah
97692 62735



HOUSE OF STAINLESS STEEL

STOCKIST & SUPPLIERS OF : STAINLESS STEEL, FERROUS
& NON FERROUS METAL, COPPER, BRASS, ALUMINIUM &
ALLOY STEEL IN ROD, SHEET, PLATE, WIRE ETC.



SPECIALIST IN :

S.S. HEAVY THICKNESS BUSH PIPES

42/46, Guru Rajendra House, Shop No. 3,
5th Kumbharwada, Mumbai - 400 004.

E-mail : miltonsteel111@gmail.com / milstonsteel@rediffmail.com

Tel. : 2387 0865 / 6636 3465 / 6743 6430 / 2380 3586

A man in a dark suit, white shirt, and dark tie is holding a white rectangular sign in front of his chest. The sign has the words "Thank you" written in a large, black, sans-serif font. The background is a blurred office setting with windows.

Thank you

VISHAL SHAH

+91 97692 62735

Miltonsteel111@gmail.com

www.miltonsteel.in

